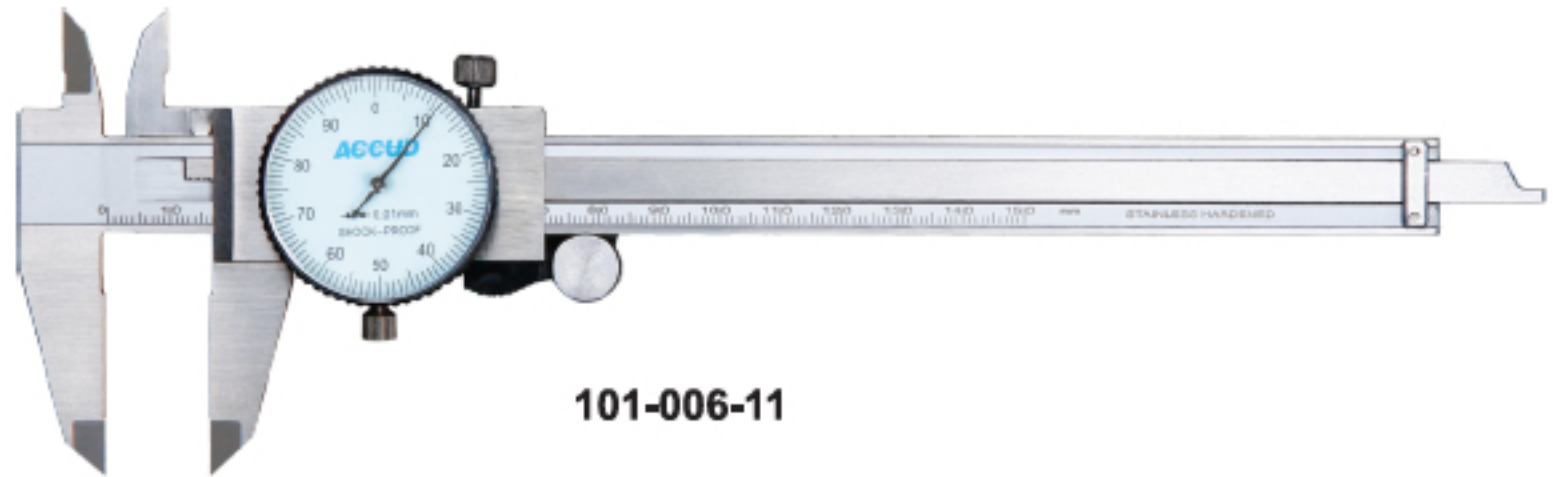


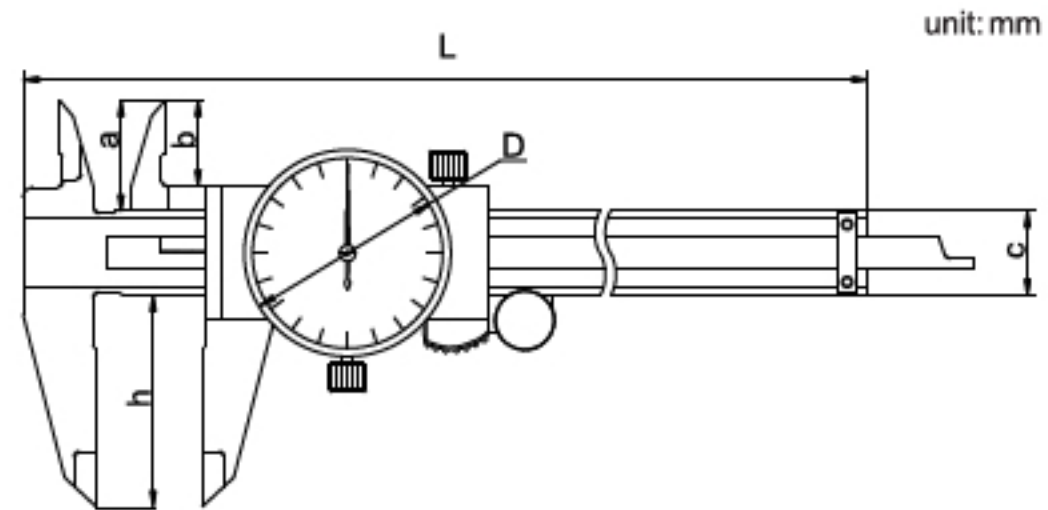
SERIES 101

DIAL CALIPER

- ◆ Shockproof dial indicator
- ◆ Made of stainless steel



101-006-11



Code	Range	Graduation	Accuracy	a	b	c	h	D	L
101-006-11	0-150mm	0.01mm	±0.03mm	21	16.5	16	40	Ø39	233
101-008-11	0-200mm	0.01mm	±0.03mm	24	19	16	50	Ø39	288
101-012-11	0-300mm	0.01mm	±0.04mm	30	25	20	64	Ø44	390
101-006-21	0-150mm	0.02mm	±0.03mm	21	16.5	16	40	Ø39	233
101-008-21	0-200mm	0.02mm	±0.03mm	24	19	16	50	Ø39	288
101-012-21	0-300mm	0.02mm	±0.04mm	30	25	20	64	Ø44	390