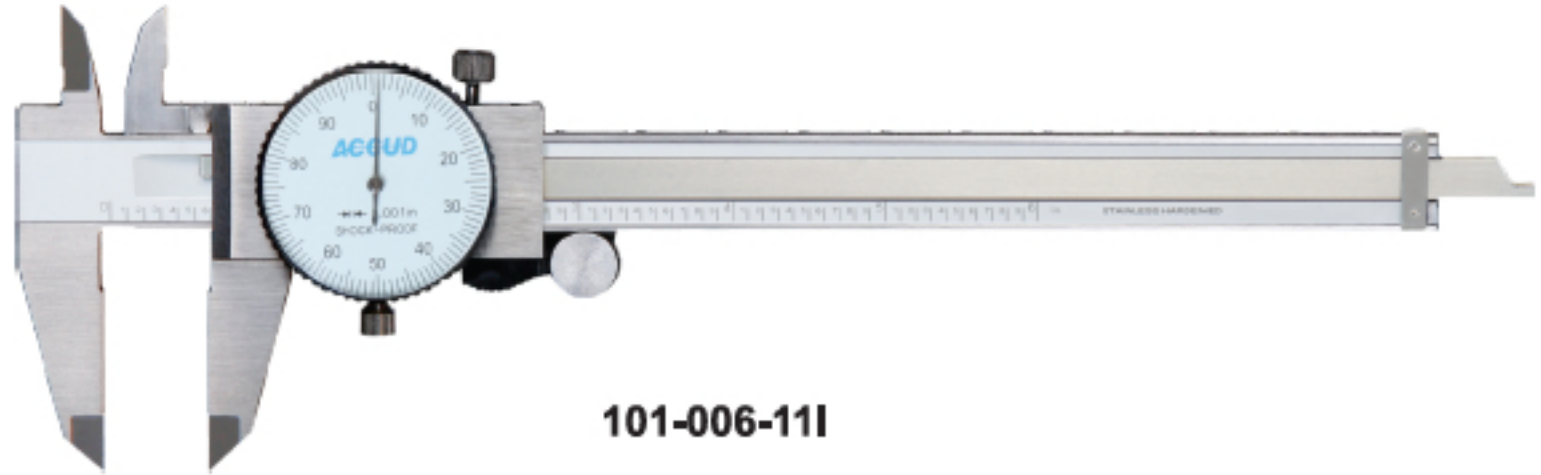


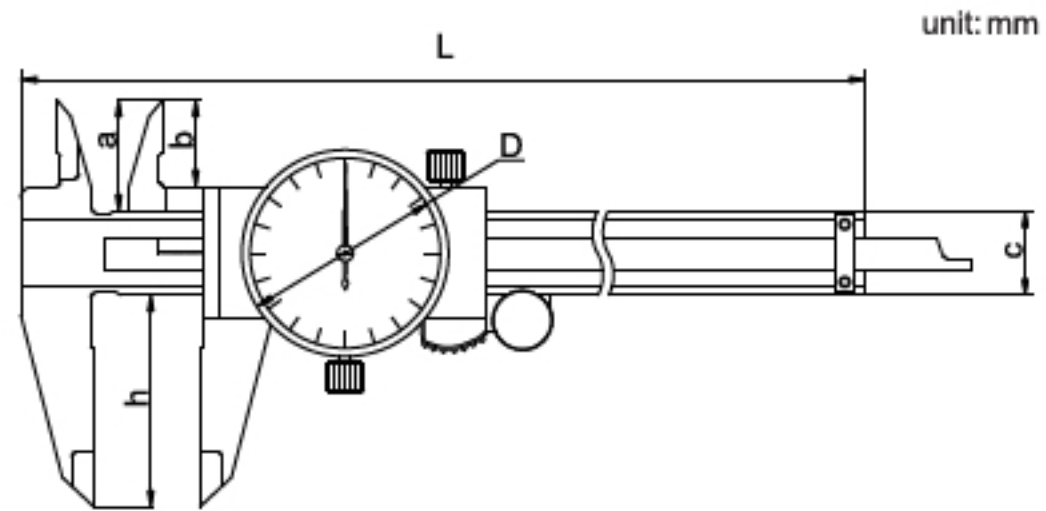
# SERIES 101

# INCH DIAL CALIPER

- ◆ Shockproof dial indicator
- ◆ Made of stainless steel



101-006-11I



Code	Range	Graduation	Accuracy	a	b	c	h	D	L
101-006-11I	0-6"	0.001in	±0.0015in	21	16.5	16	40	Ø39	233
101-008-11I	0-8"	0.001in	±0.0020in	24	19	16	50	Ø39	288
101-012-11I	0-12"	0.001in	±0.0020in	30	25	20	64	Ø44	390