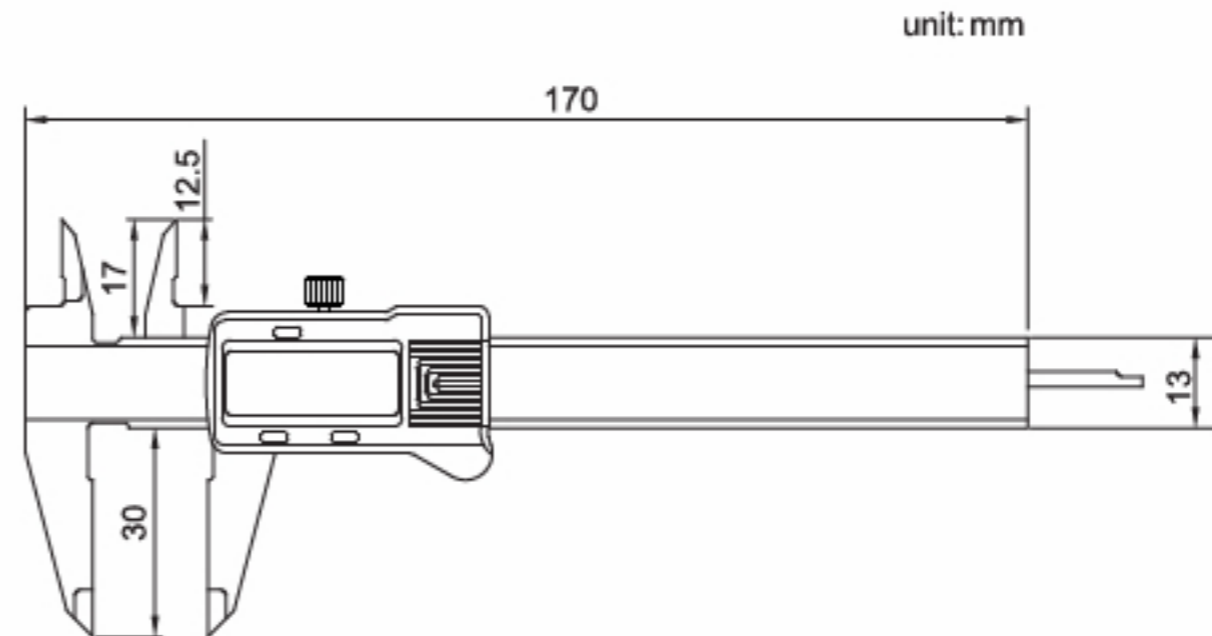


- ◆ Resolution: 0.01mm/0.0005"
- ◆ Buttons: on/off, zero, mm/inch
- ◆ Meet DIN862
- ◆ Made of stainless steel



Code	Range	Accuracy
114-004-11	0-100mm/0-4"	±0.02mm