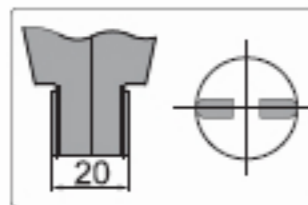
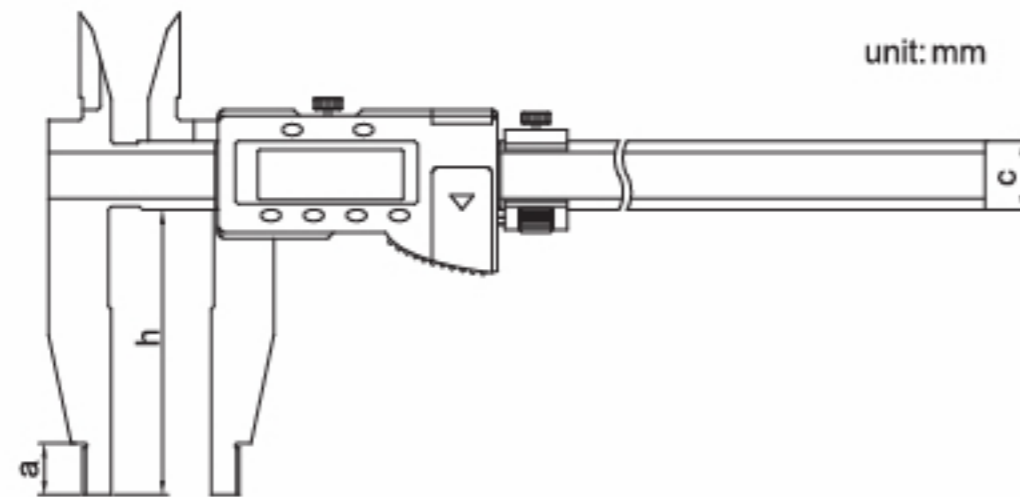




**119-020-11**

- ◆ Resolution: 0.01mm/0.0005"
- ◆ Buttons: on/off, zero, mm/inch, ABS, data preset
- ◆ Data output
- ◆ Made of stainless steel



Code	Range	Accuracy	a	c	h
119-012-12	0-300mm/0-12"	±0.05mm	18	24	100
119-020-11	0-500mm/0-20"	±0.05mm	18	24	100
119-020-12	0-500mm/0-20"	±0.06mm	18	24	150
119-020-13	0-500mm/0-20"	±0.06mm	18	24	200
119-024-11	0-600mm/0-24"	±0.05mm	18	24	100
119-024-12	0-600mm/0-24"	±0.06mm	18	24	150
119-024-14	0-600mm/0-24"	±0.06mm	18	32	200
119-040-11	0-1000mm/0-40"	±0.08mm	24	32	150
119-040-12	0-1000mm/0-40"	±0.08mm	24	32	200
119-060-11	0-1500mm/0-60"	±0.11mm	24	42	150
119-060-12	0-1500mm/0-60"	±0.12mm	24	42	200