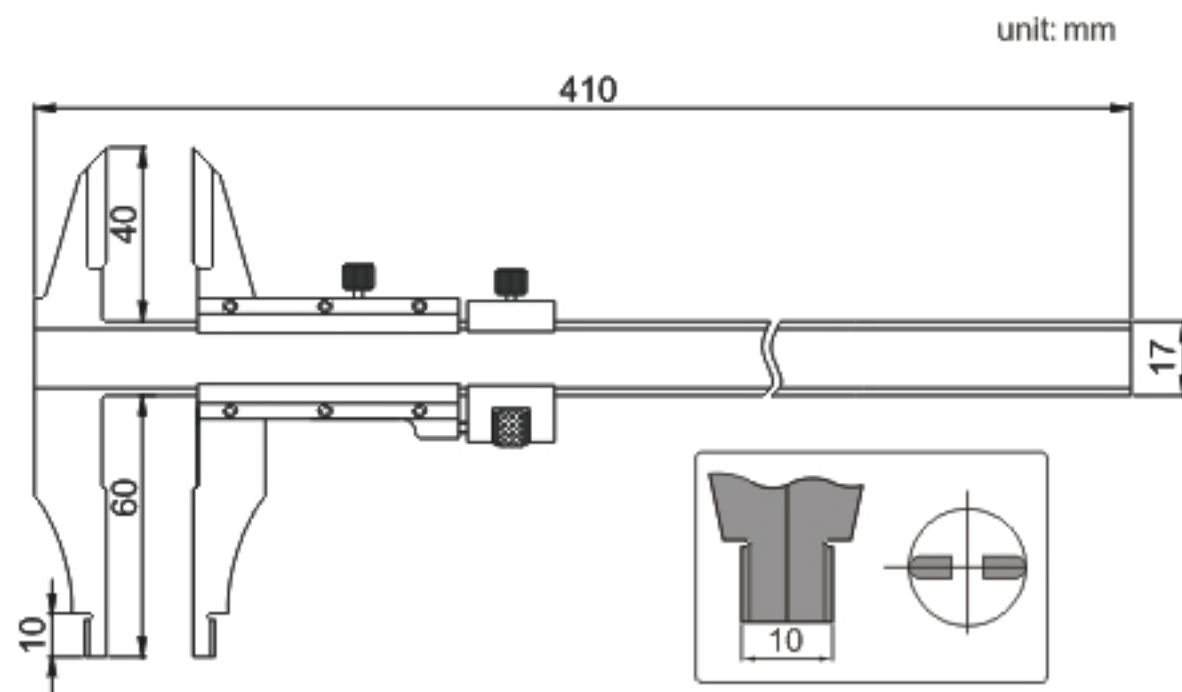


VERNIER CALIPER

SERIES 122



- ◆ Graduation: 0.02mm
- ◆ With fine adjustment
- ◆ Made of stainless steel
- ◆ Stain chrome reading surface



Code	Range	Accuracy
122-012-11	300mm	±0.03mm