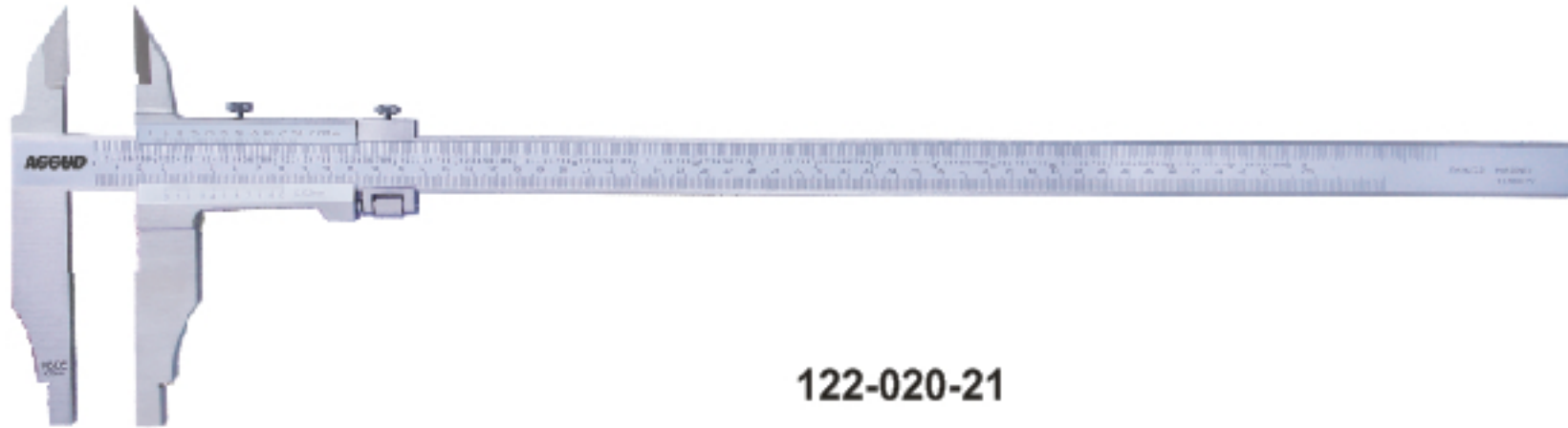


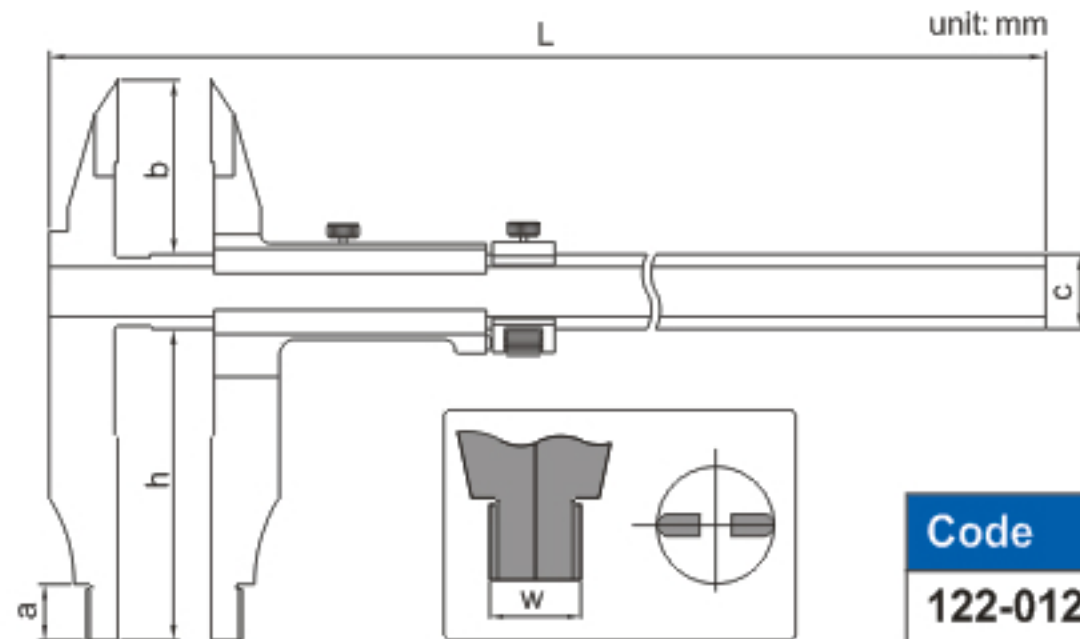
VERNIER CALIPER

SERIES 122



122-020-21

- ◆ Graduation: 0.02mm/0.001"
- ◆ With fine adjustment
- ◆ Made of stainless steel
- ◆ Stain chrome reading surface



Code	Range	Accuracy	h	a	b	c	w	L
122-012-21	300mm/12"	±0.05mm	90	12	40	20	10	410
122-020-21	500mm/20"	±0.05mm	100	18	56	24	20	670
122-020-22	500mm/20"	±0.06mm	150	18	56	24	20	670
122-032-21	800mm/32"	±0.07mm	150	24	67	31	20	1020
122-040-21	1000mm/40"	±0.08mm	150	24	67	31	20	1220