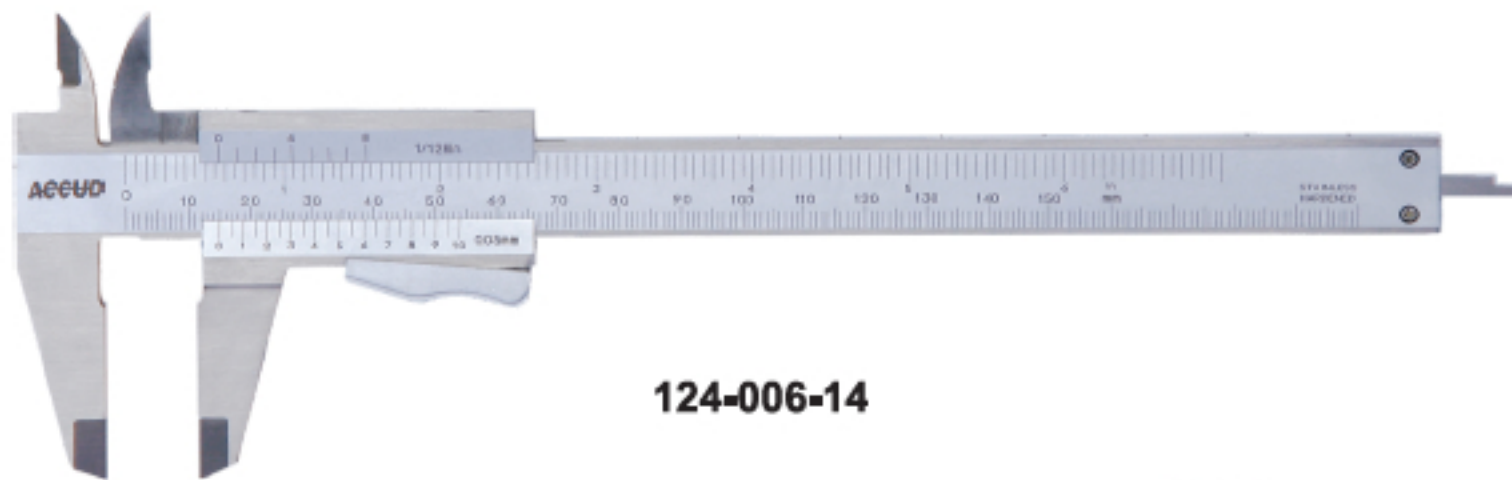


# SERIES 124

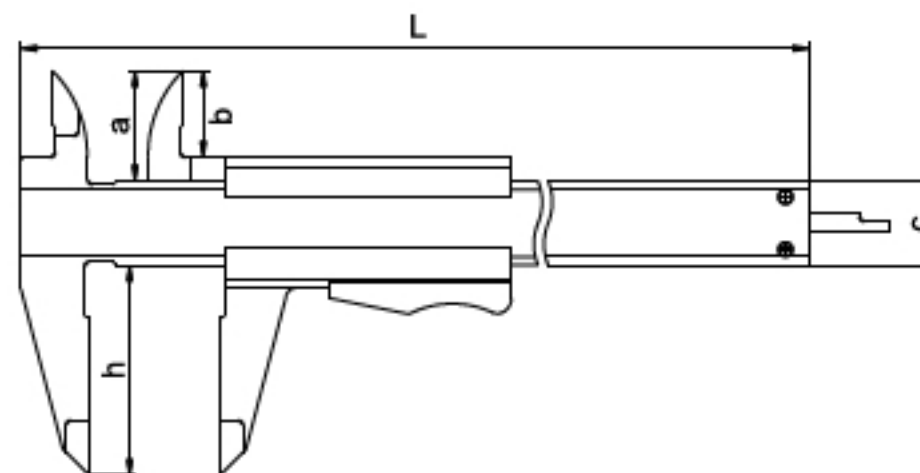
# VERNIER CALIPER

- ◆ With auto thumb clamp
- ◆ Meet DIN862
- ◆ Stain chrome plated reading surface
- ◆ Made of stainless steel



124-006-14

unit: mm



Code	Range	Graduation	Accuracy	a	b	c	h	L
124-006-12	0-150mm/0-6"	0.02mm/0.001"	±0.03mm	20.5	15.5	16	40	235
124-008-12	0-200mm/0-8"	0.02mm/0.001"	±0.03mm	23.5	19	16	50	290
124-006-14	0-150mm/0-6"	0.05mm/1/128"	±0.05mm	20.5	15.5	16	40	235
124-008-14	0-200mm/0-8"	0.05mm/1/128"	±0.05mm	23.5	19	16	50	290