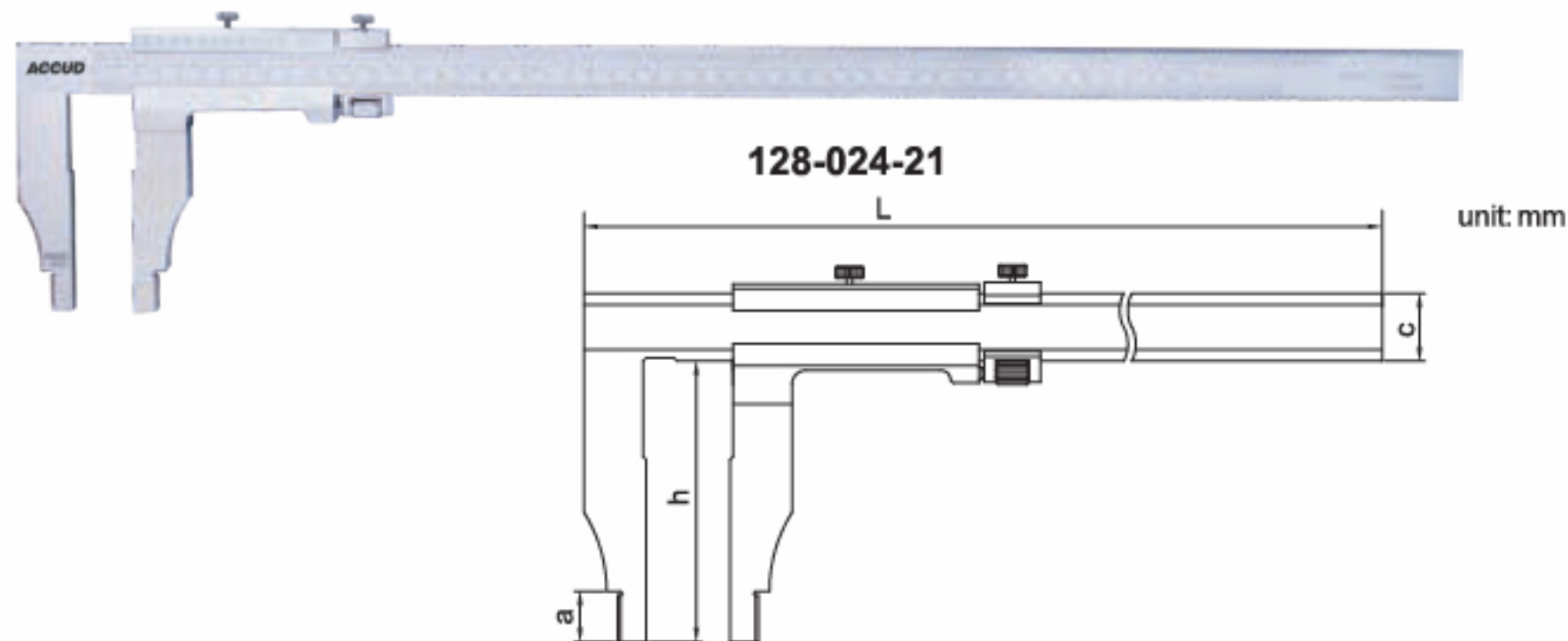


SERIES 128

VERNIER CALIPER

- ◆ Made of stainless steel
- ◆ With fine adjustment
- ◆ Satin chrome plated reading surface



Graduation: 0.02mm/0.001"

Code	Range	Accuracy	a	c	h	w	L
128-024-21	0-600mm/0-24"	±0.06mm	18	24	100	20	770
128-024-22	0-600mm/0-24"	±0.08mm	18	24	150	20	770
128-060-21	0-1500mm/0-60"	±0.11mm	24	42	150	20	1820
128-080-21	0-2000mm/0-80"	±0.14mm	24	42	150	20	2230

Graduation: 0.05mm/1/128"

Code	Range	Accuracy	a	c	h	w	L
128-012-51	0-300mm/0-12"	±0.07mm	18	24	100	20	410
128-012-52	0-300mm/0-12"	±0.07mm	18	24	150	20	410
128-024-51	0-600mm/0-24"	±0.08mm	18	24	100	20	770
128-024-52	0-600mm/0-24"	±0.09mm	18	24	150	20	770
128-032-51	0-800mm/0-32"	±0.09mm	24	31	150	20	1030
128-060-51	0-1500mm/0-60"	±0.16mm	24	42	150	20	1820
128-080-51	0-2000mm/0-80"	±0.20mm	24	42	150	20	2230

