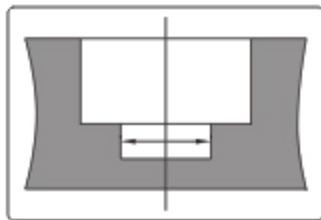
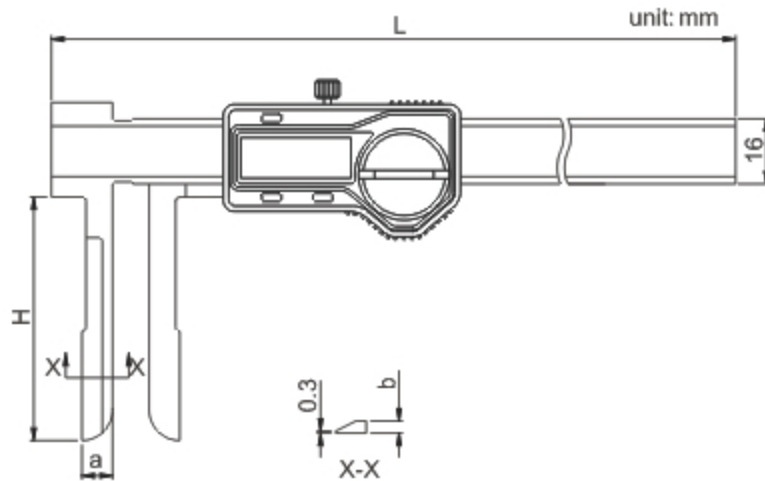


# DIGITAL INSIDE KNIFE-EDGE CALIPER

## SERIES 139



139-006-11



- ◆ Measure the diameter of deep holes or grooves
- ◆ Resolution: 0.01mm/0.0005"
- ◆ Automatic power on/off
- ◆ Buttons: on/off, zero, mm/inch
- ◆ Data output
- ◆ Made of stainless steel

| Code       | Range    | Accuracy | L   | H  | a  | b |
|------------|----------|----------|-----|----|----|---|
| 139-006-11 | 15-150mm | ±0.05mm  | 250 | 60 | 12 | 3 |
| 139-008-11 | 20-200mm | ±0.05mm  | 310 | 90 | 15 | 4 |