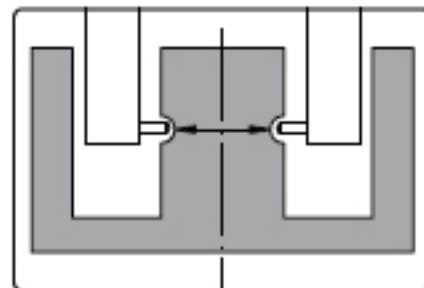
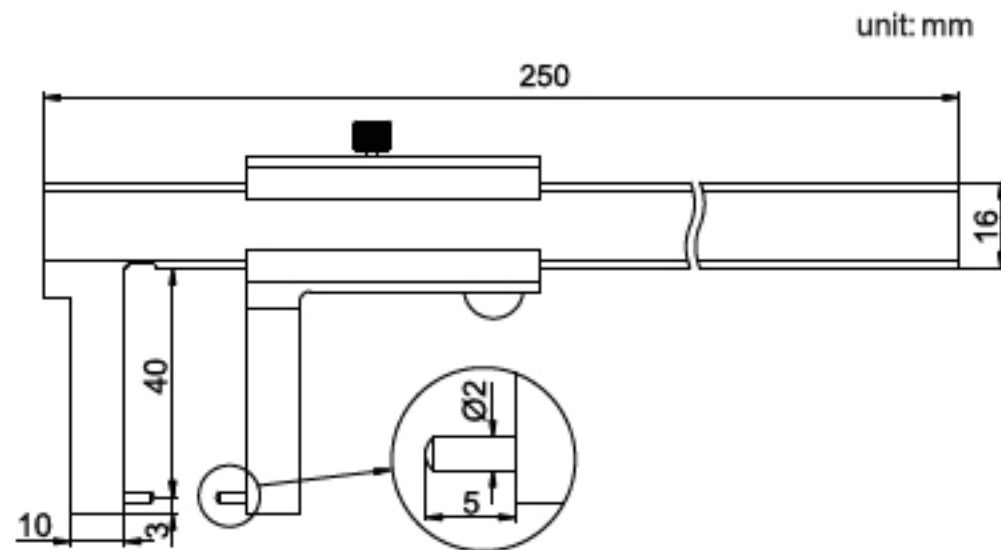


OUTSIDE POINT VERNIER CALIPER

SERIES 144



144-006-11



- ◆ Measure wall thickness of inside bores and recesses
- ◆ Made of stainless steel
- ◆ Satin chrome plated reading surface

Code	Range	Graduation	Accuracy
144-006-11	0-150mm	0.02mm	±0.04mm
144-006-13	0-150mm	0.05mm	±0.05mm