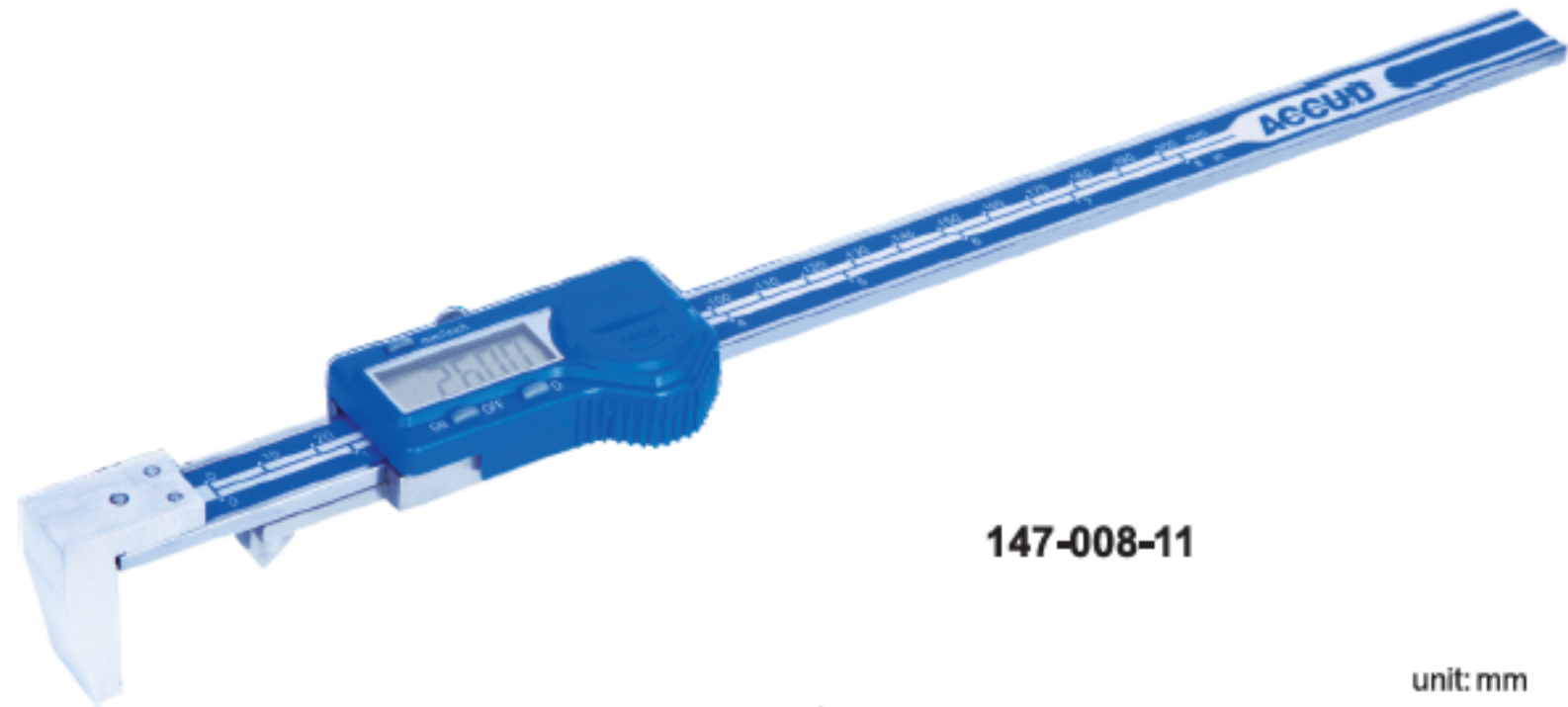


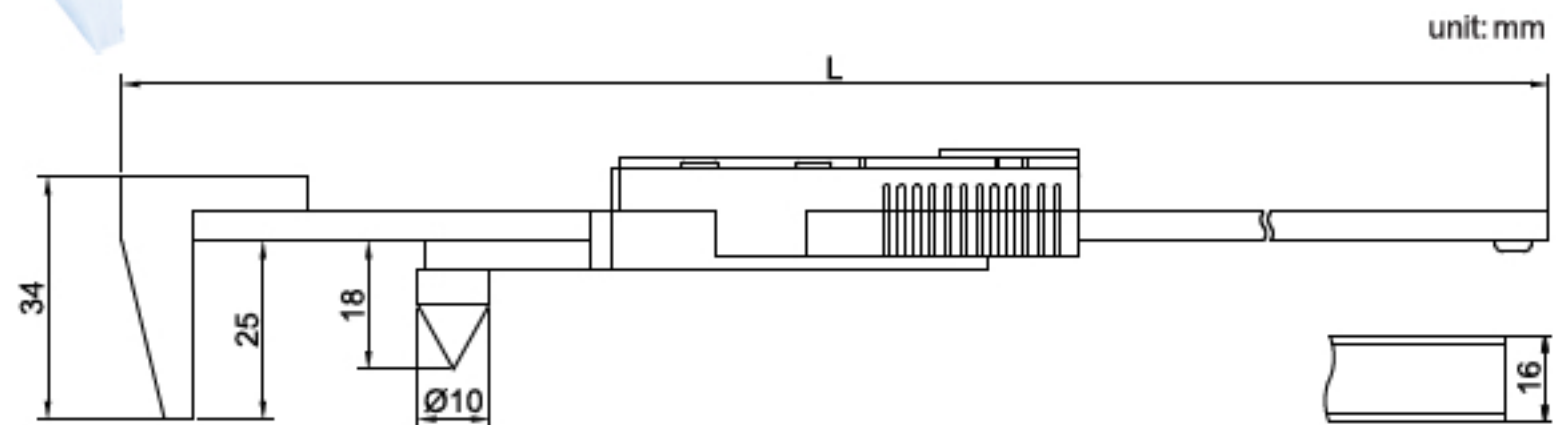
SERIES 147

BACK-JAW DIGITAL EDGE TO CENTER CALIPER

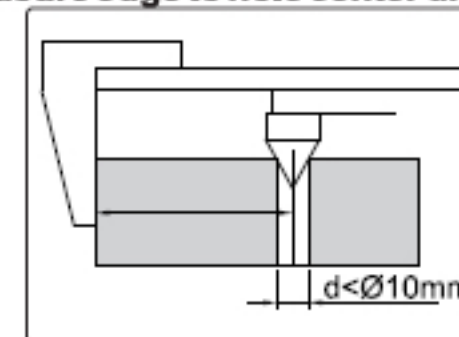
- ◆ Measure edge to hole center distance
- ◆ Resolution: 0.01mm/0.0005"
- ◆ Buttons: on/off, zero, mm/inch
- ◆ Data output
- ◆ Automatic power on/off
- ◆ Made of stainless steel



147-008-11



measure edge to hole center distance



Code	Range	Accuracy	L
147-008-11	5-200mm/0.2-8"	$\pm 0.1\text{mm}$	310mm
147-012-11	5-300mm/0.2-12"	$\pm 0.1\text{mm}$	410mm