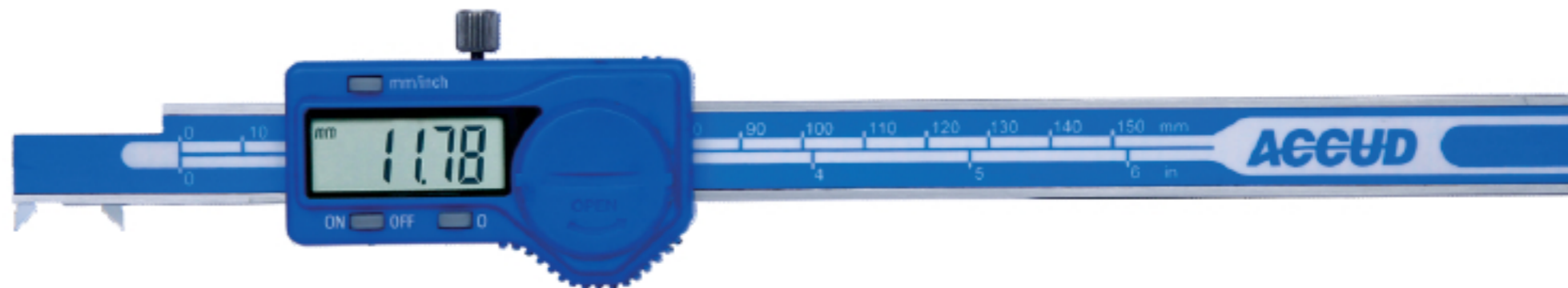


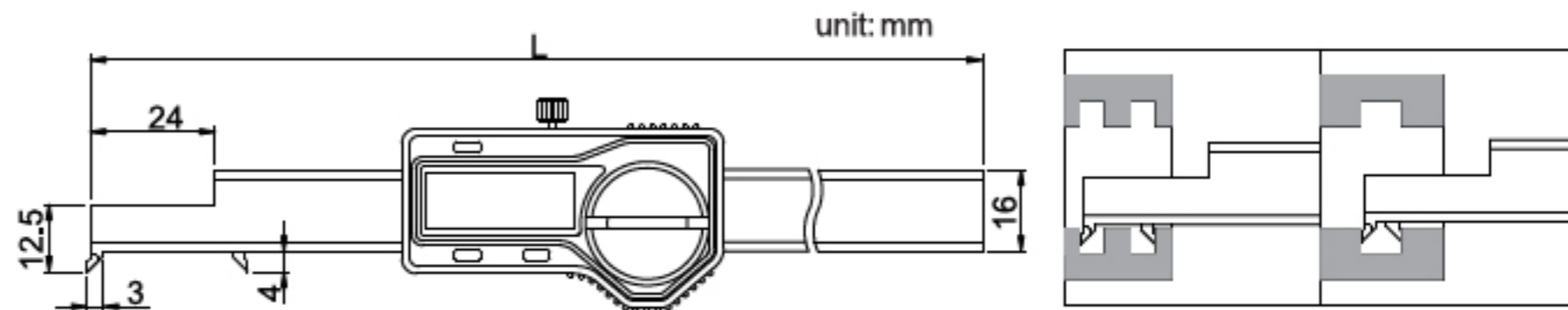
SERIES 154

DIGITAL HOOK CALIPER

- ◆ Measure width of groove inside bores
- ◆ Resolution: 0.01mm/0.0005"
- ◆ Buttons: on/off, zero, mm/inch
- ◆ Automatic power on/off
- ◆ Data output
- ◆ Made of stainless steel



154-005-11



Code	Range	Accuracy	L
154-005-11	3-125mm	±0.04mm	250mm
154-008-11	3-200mm	±0.04mm	310mm