

# DIGITAL CHAMFER GAUGE

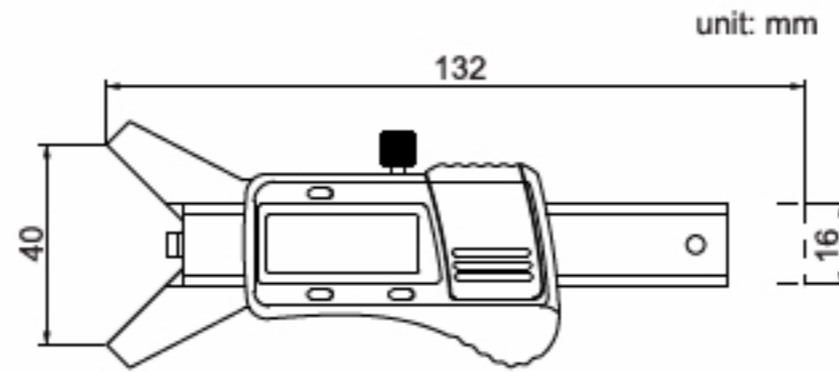
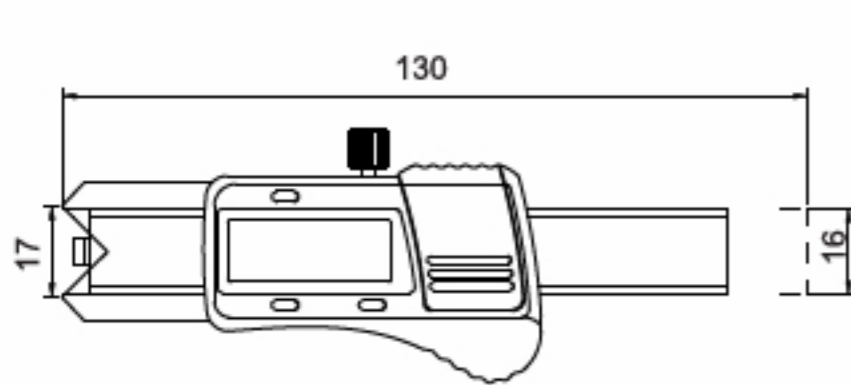
## SERIES 164



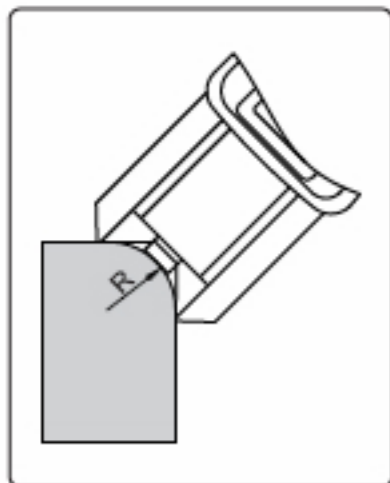
164-001-11



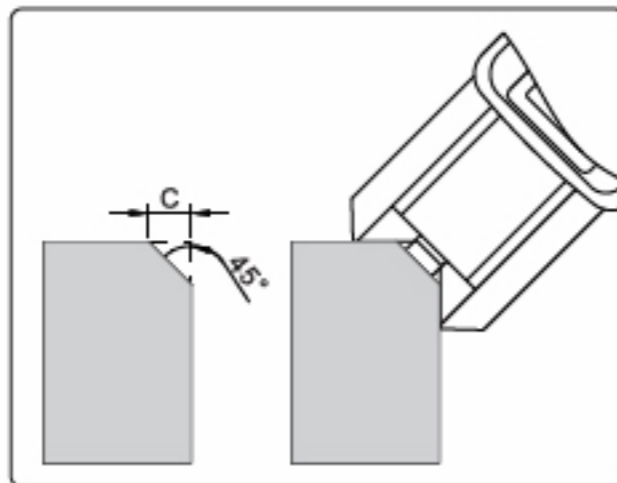
164-002-11



Measure chamfer radius



Measure leg length of 45° chamfer



Code	Range of leg length (C)	Range of radius (R)	Accuracy
164-001-11	0-6mm	0-15mm	±0.05mm
164-002-11	0-18mm	0-30mm	±0.05mm

- ◆ Resolution: 0.01mm
- ◆ Made of stainless steel