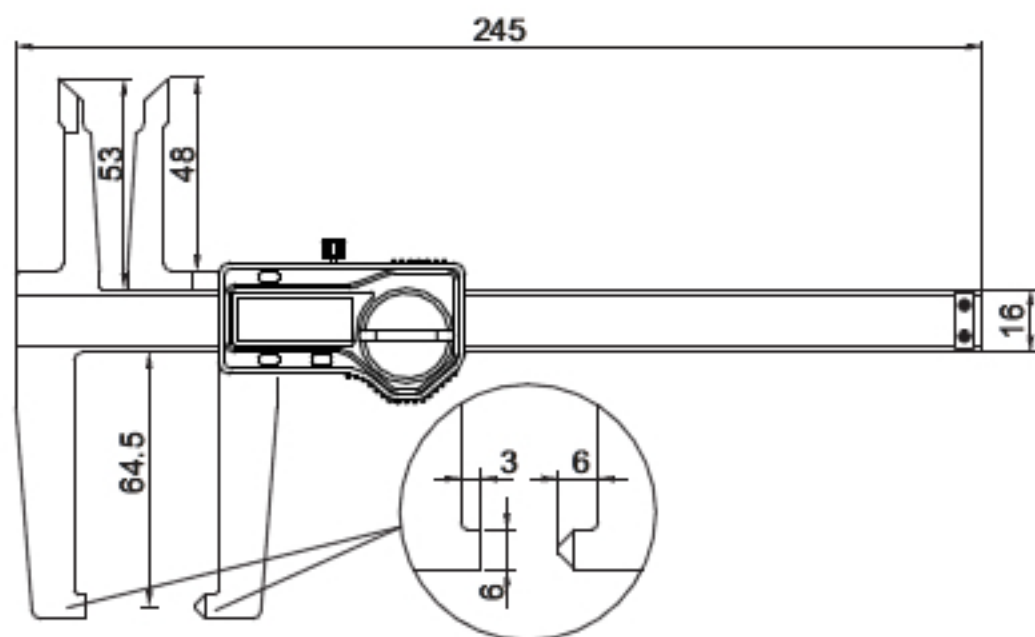




unit: mm



- ◆ Measure thickness of disk brakes and pad wear
- ◆ Resolution: 0.01mm/0.0005"
- ◆ Buttons: on/off, zero, mm/inch
- ◆ Automatic power off
- ◆ Data output
- ◆ Made of stainless steel

| Code | Range | Accuracy |
|------------|--------------|----------|
| 165-006-11 | 0-150mm/0-6" | ±0.07mm |