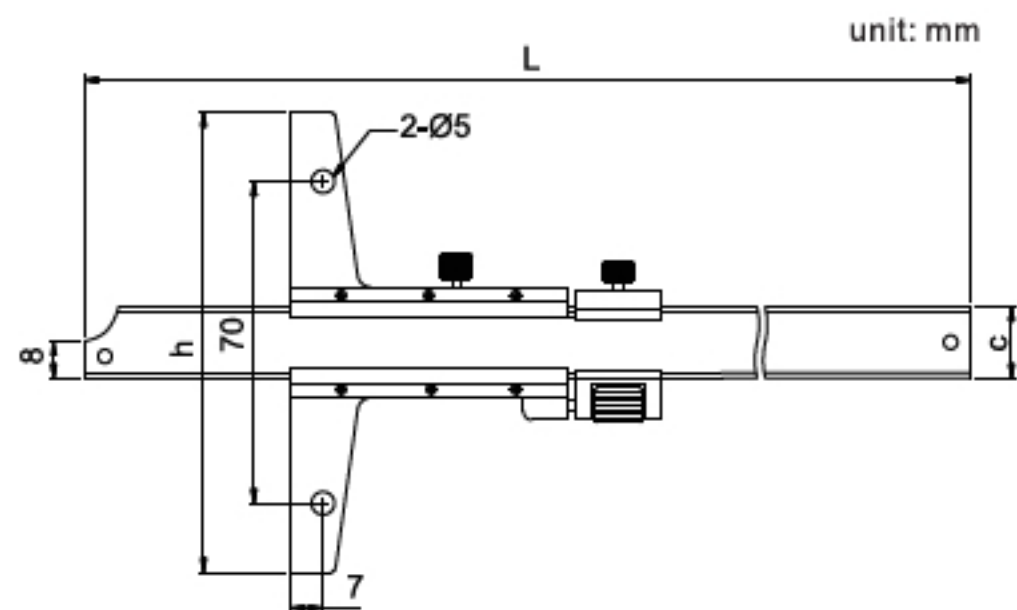
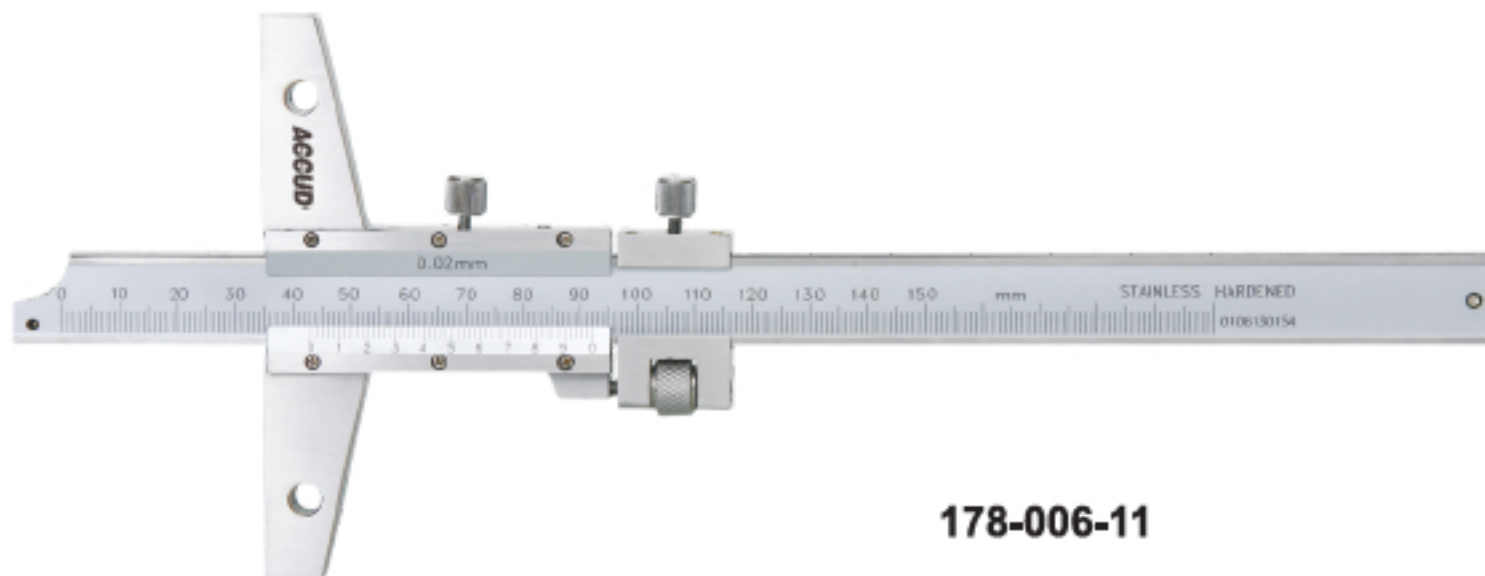


SERIES 178

VERNIER DEPTH CALIPER

- ◆ With fine adjustment
- ◆ Made of stainless steel
- ◆ Satin chrome plating finish on reading surface
- ◆ Optional accessory: extension base



Code	Range	Graduation	Accuracy	c	h	L
178-006-11	0-150mm	0.02mm	±0.03mm	16	100	256
178-008-11	0-200mm	0.02mm	±0.03mm	16	100	306
178-012-11	0-300mm	0.02mm	±0.04mm	16	100	406
178-006-13	0-150mm	0.05mm	±0.05mm	16	100	256
178-008-13	0-200mm	0.05mm	±0.05mm	16	100	306
178-012-13	0-300mm	0.05mm	±0.08mm	16	100	406