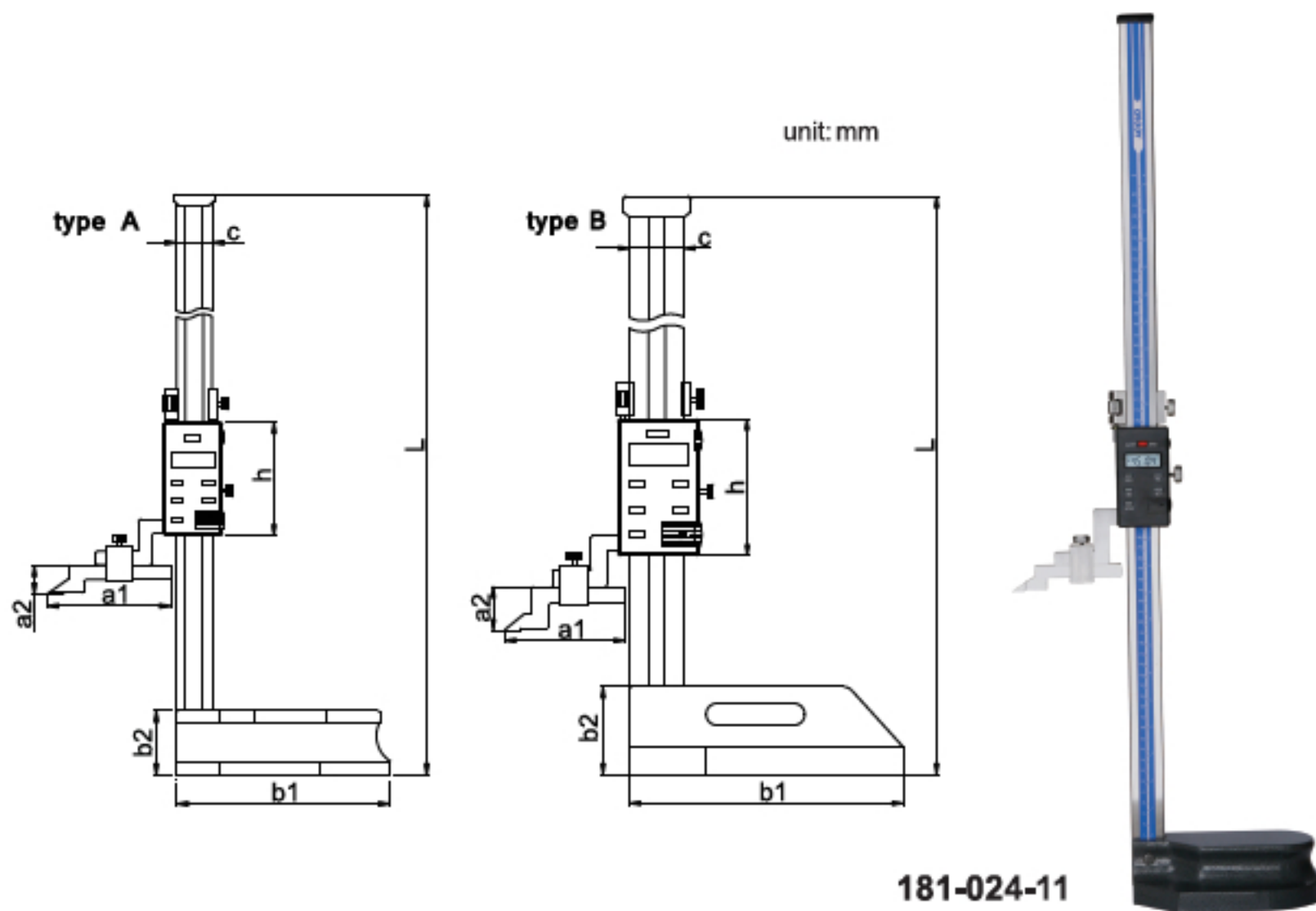


# DIGITAL HEIGHT GAGE

# SERIES 181



- ◆ Resolution: 0.01mm/0.0005"
- ◆ Buttons: on/off, inch/mm, ABS/INC, data hold, tolerance measurement, data preset, set data
- ◆ Carbide tipped scriber
- ◆ Made of stainless steel (except the base)
- ◆ Data output
- ◆ With clamps (Ø8mm holder)

181-024-11

Code	Range	Type	Accuracy	a1	a2	b1	b2	c	h	L
181-012-11	0-300mm/0-12"	A	±0.04mm	76	25	135	45	23	80	470
181-024-11	0-600mm/0-24"	A	±0.05mm	103	25	180	55	30	95	820
181-040-11	0-1000mm/0-40"	B	±0.07mm	110	39	250	80	50	125	1275
181-060-11	0-1500mm/0-60"	B	±0.11mm	110	39	280	80	50	125	1790
181-080-11	0-2000mm/0-80"	B	±0.15mm	110	39	280	80	50	125	2290

clamp



**NEW**  
**NEW**