

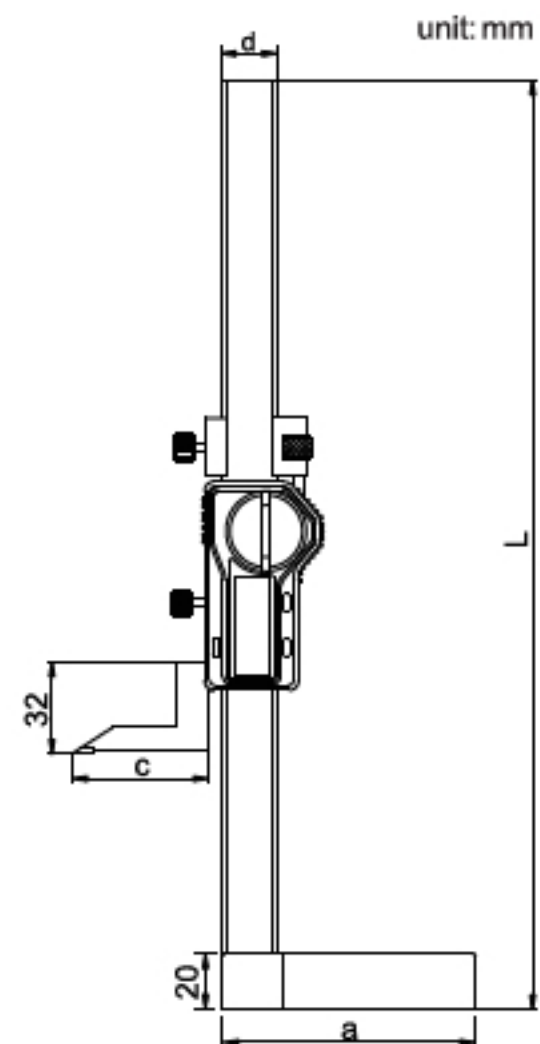
## SERIES 183

## MINI DIGITAL HEIGHT GAGE

- ◆ Resolution: 0.01mm/0.0005"
- ◆ Buttons: on/off, inch/mm, zero
- ◆ Carbide tipped scriber
- ◆ Made of stainless steel (except the base)
- ◆ Data output
- ◆ Automatic power off



183-006-11



Code	Range	Accuracy	a	c	d	L
183-006-11	0-150mm/0-6"	±0.03mm	75	43	16	265
183-008-11	0-200mm/0-8"	±0.03mm	90	49	16	325
183-010-11	0-250mm/0-10"	±0.03mm	90	49	16	380