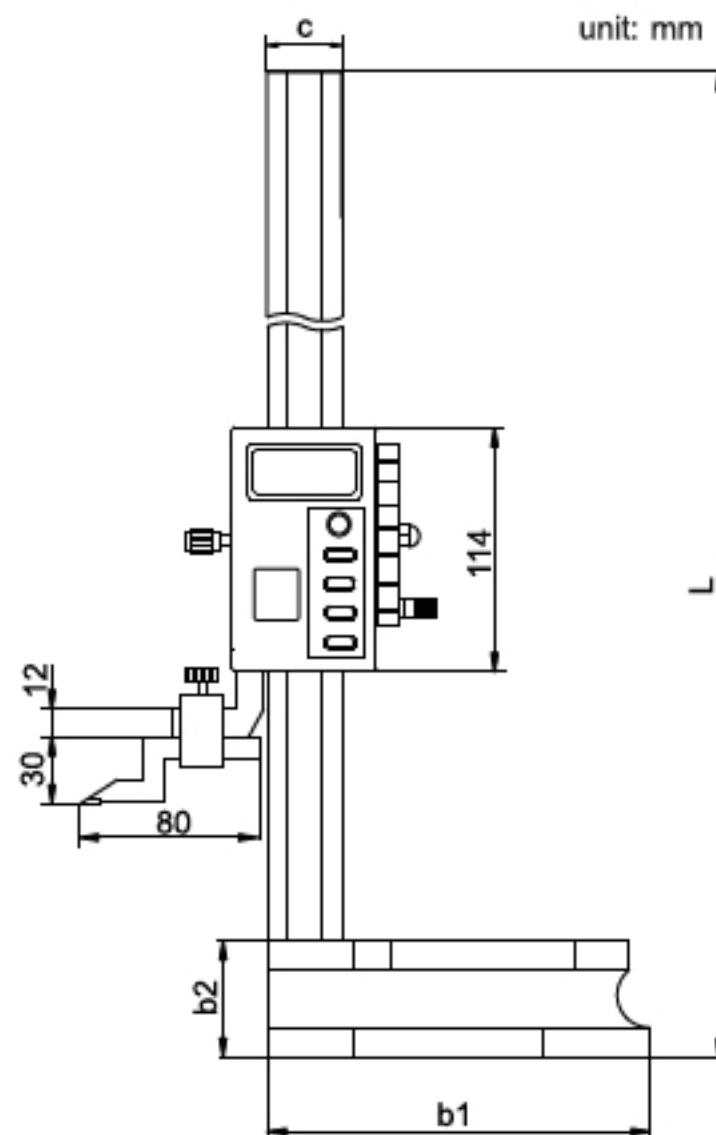
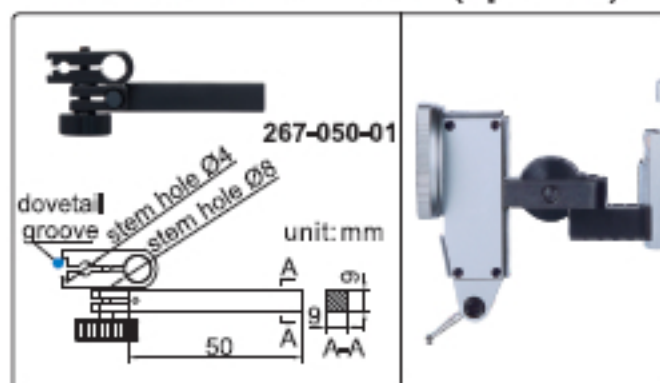


DIGITAL HEIGHT GAGE WITH DRIVING WHEEL

SERIES 184



Dial test indicator holder (optional)



184-012-11

- ◆ Resolution: 0.01mm/0.0005"
- ◆ Buttons: on/off, zero, mm/inch, ABS/INC, hold
- ◆ Automatic power off, move the digital unit to turn on power
- ◆ Carbide tipped scriber
- ◆ Made of stainless steel
- ◆ Data output
- ◆ Optional accessories:
dial test indicator holder (267-050-01)

Code	Range	Accuracy	b1	b2	c	L
184-012-11	0-300mm/0-12"	±0.03mm	180	55	32	515
184-024-11	0-600mm/0-24"	±0.05mm	180	55	32	815