

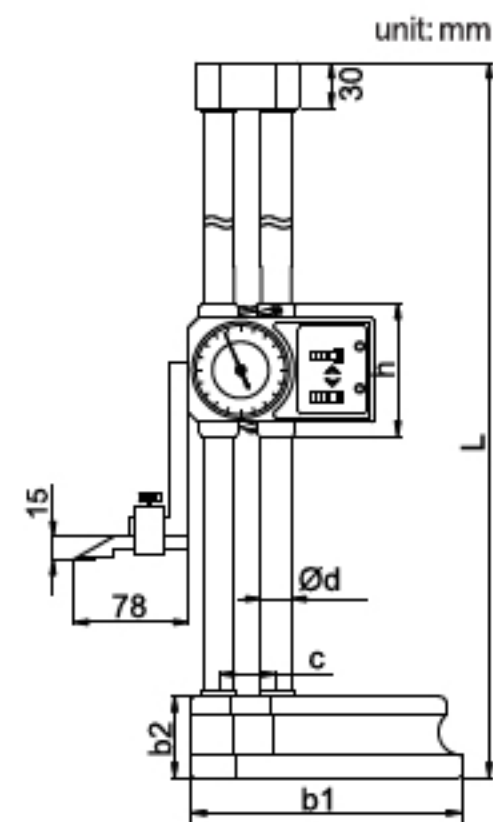
# SERIES 185

# DIAL HEIGHT GAGE

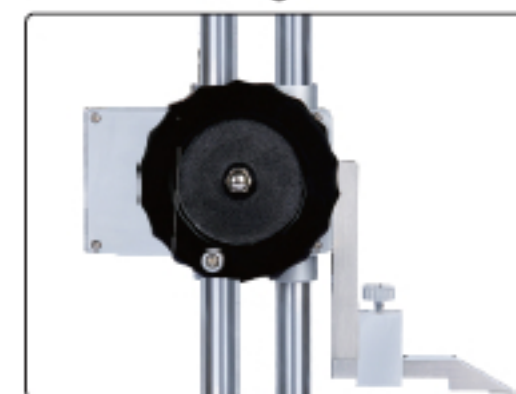
- ◆ Indicator graduation: 0.01mm
- ◆ Carbide tipped scriber
- ◆ Made of stainless steel (except the base)
- ◆ With driving wheel
- ◆ Optional accessory: 267 series clamps



185-012-11



driving wheel



Code	Range	Accuracy	b1	b2	c	Ød	h	L
185-012-11	0-300mm	±0.04mm	135	43	33	15	84	475
185-024-11	0-600mm	±0.05mm	180	54	38	20	88	810