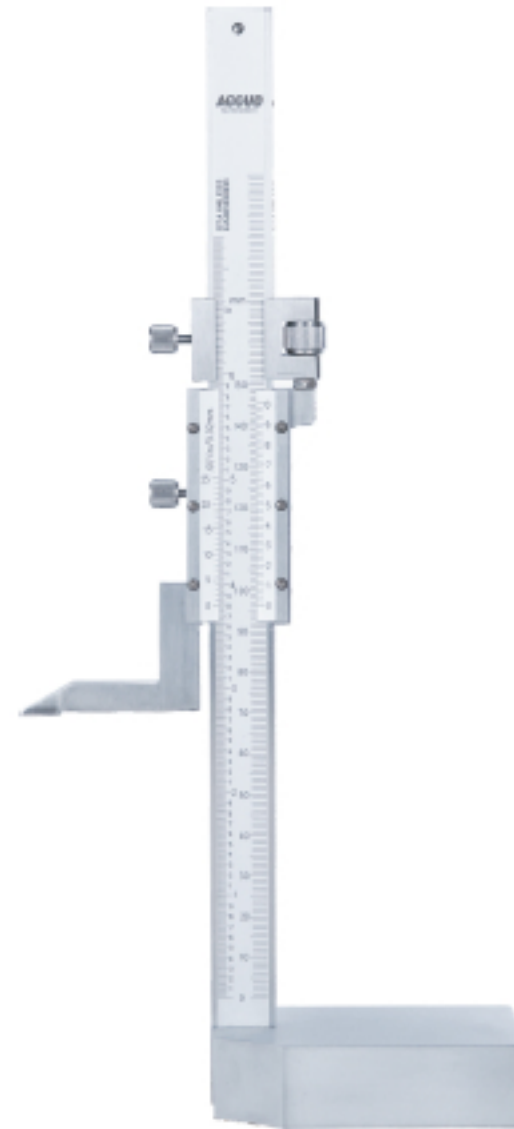


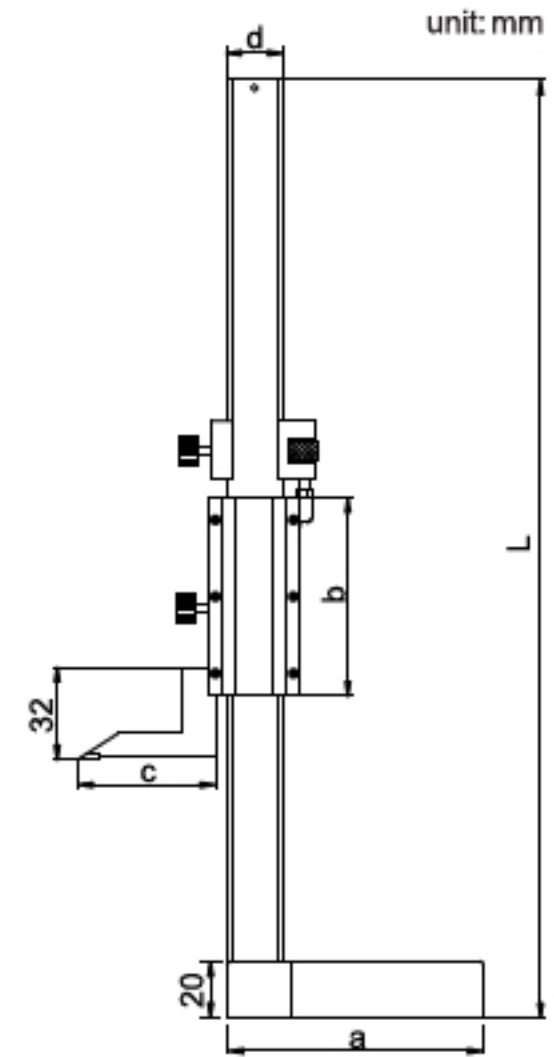
SERIES 187

MINI VERNIER HEIGHT GAGE

- ◆ Graduation 0.02mm/0.001"
- ◆ Carbide tipped scriber
- ◆ Made of stainless steel (except the base)
- ◆ Satin chrome plated scale



187-006-11



Code	Range	Accuracy	a	b	c	d	L
187-006-11	0-150mm/0-6"	±0.03mm	75	57	43	16	265
187-008-11	0-200mm/0-8"	±0.03mm	90	70	49	20	325
187-010-11	0-250mm/0-10"	±0.03mm	90	70	49	20	380