

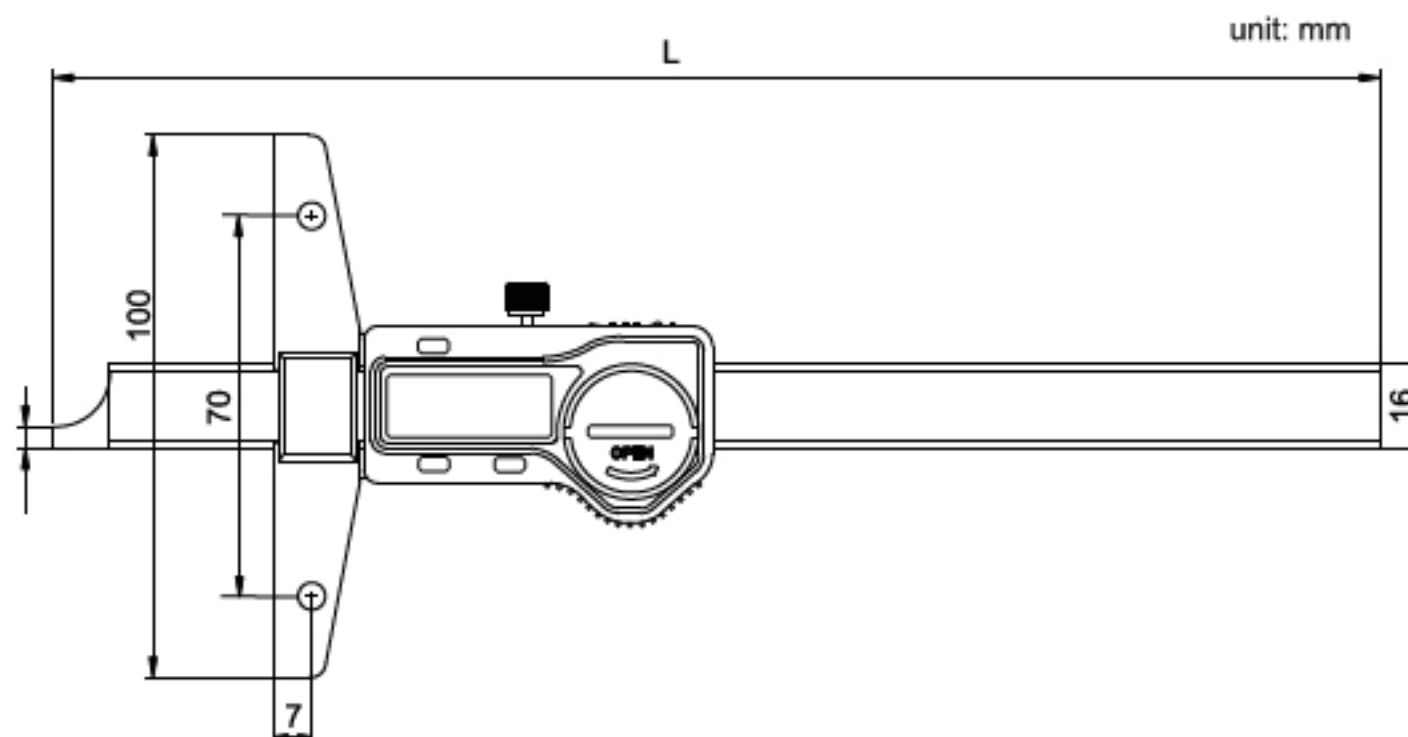
SERIES 191

DIGITAL DEPTH CALIPER WITH HOLES

- ◆ With hole, for mounting the extension base
- ◆ Resolution: 0.01mm/0.0005"
- ◆ Buttons: on/off, zero, mm/inch
- ◆ Automatic power on/off
- ◆ Data output
- ◆ Made of stainless steel



191-006-11



Code	Range	Accuracy	L
191-006-11	0-150mm/0-6"	±0.03mm	237
191-008-11	0-200mm/0-8"	±0.03mm	287
191-012-11	0-300mm/0-12"	±0.04mm	403