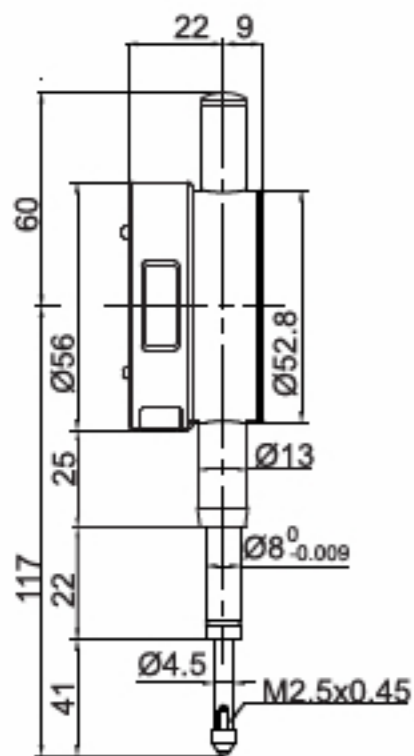
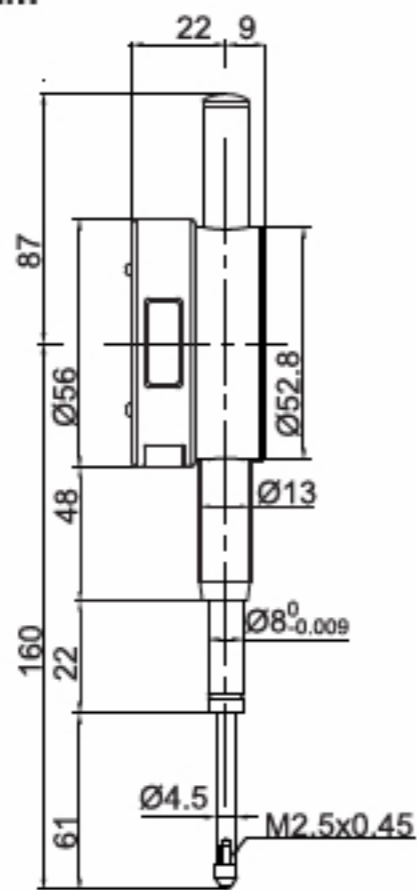


Range: 0-12.7mm



Range: 0-25.4mm



Range: 0-50.8mm



211-010-13

- ◆ With analog reading
- ◆ Button: tolerance set, data preset, inch/mm conversion, measuring direction set, max./min./range measurement, absolute/incremental measurement
- ◆ Data output
- ◆ Automatic power off
- ◆ Supplied with flat and lug back

Code	Range	Resolution	Accuracy	Hysteresis
211-010-03	12.7mm/0.5"	0.001mm/0.00005"	5μm	2μm
211-025-03	25.4mm/1"	0.001mm/0.00005"	5μm	3μm
211-050-03	50.8mm/2"	0.001mm/0.00005"	6μm	3μm
211-010-13	12.7mm/0.5"	0.01mm/0.0005"	20μm	10μm
211-025-13	25.4mm/1"	0.01mm/0.0005"	20μm	10μm
211-050-13	50.8mm/2"	0.01mm/0.0005"	30μm	10μm