

# SERIES 212

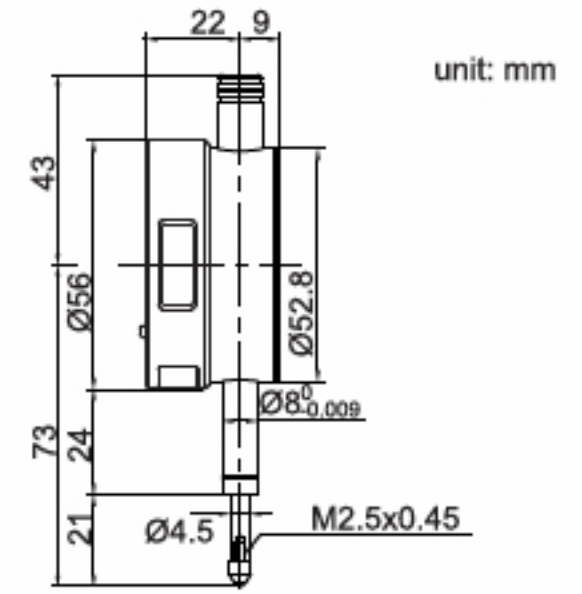
# DIGITAL INDICATOR

- ◆ Button: on/off, zero, inch/mm conversion, measuring direction set, data preset absolute/incremental measurement
- ◆ Data output
- ◆ Automatic power off
- ◆ Supplied with flat and lug back

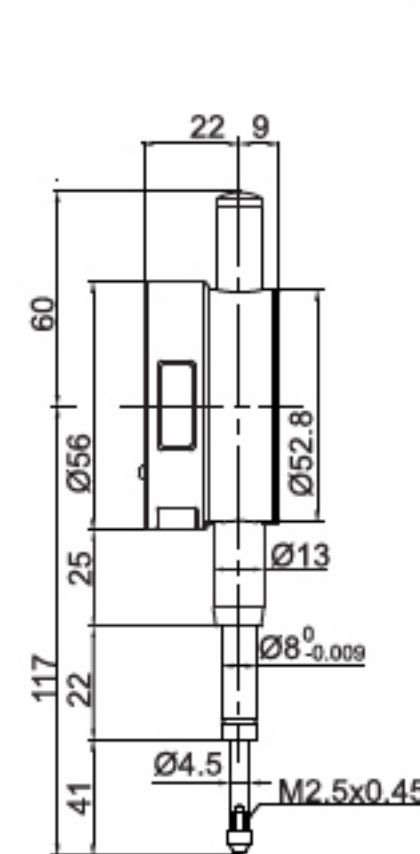


212-010-13

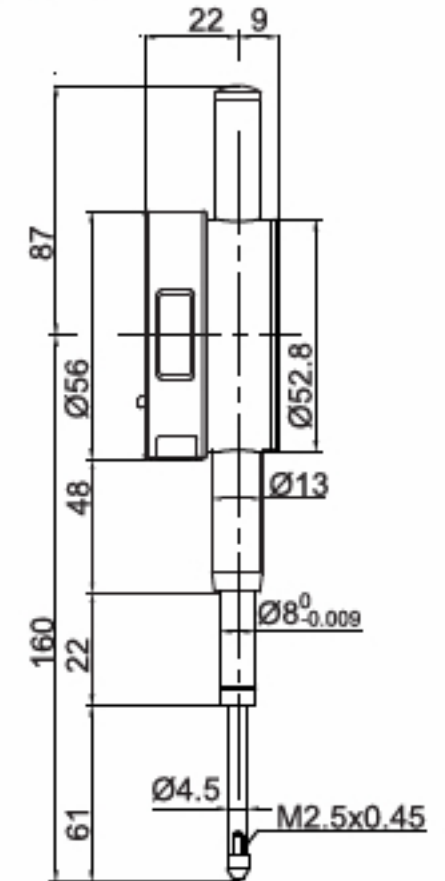
Code	Range	Resolution	Accuracy	Hysteresis
212-010-03	12.7mm/0.5"	0.001mm/0.00005"	5μm	2μm
212-025-03	25.4mm/1"	0.001mm/0.00005"	5μm	3μm
212-050-03	50.8mm/2"	0.001mm/0.00005"	6μm	3μm
212-010-13	12.7mm/0.5"	0.01mm/0.0005"	20μm	10μm
212-025-13	25.4mm/1"	0.01mm/0.0005"	20μm	10μm
212-050-13	50.8mm/2"	0.01mm/0.0005"	30μm	10μm



Range: 0-12.7mm



Range: 0-25.4mm



Range: 0-50.8mm