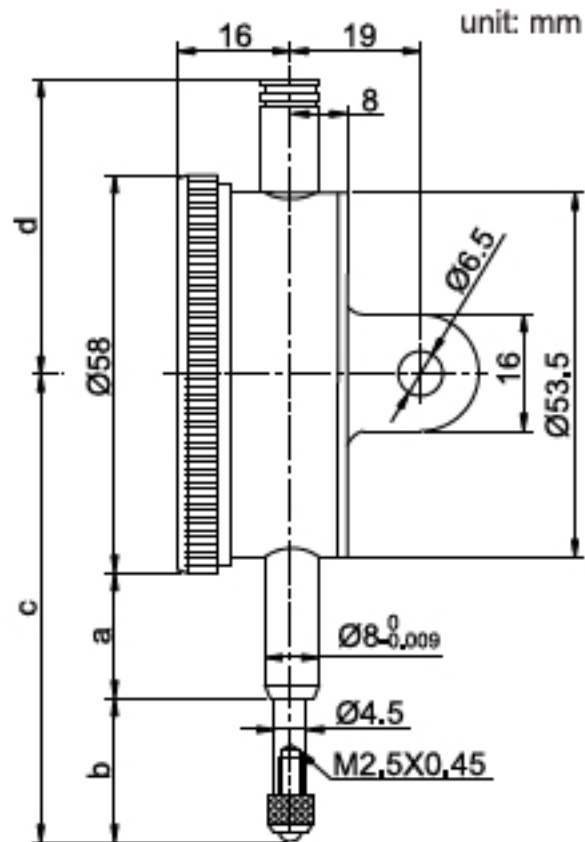


# DIAL INDICATOR

# SERIES 221



221-001-01

- ◆ Graduation: 0.001mm
- ◆ With limit hands
- ◆ Jeweled bearing
- ◆ Rang per revolution: 0.2mm
- ◆ Supplied with lug and flat back

Code	Range	Scale	Accuracy	Hysteresis	a	b	c	d
221-001-01	1mm	0-200	5 $\mu$ m	2 $\mu$ m	15	19.5	62.5	45
221-003-01	3mm	0-200	10 $\mu$ m	4 $\mu$ m	10	21.5	59.5	41.5
221-005-01	5mm	0-200	10 $\mu$ m	4 $\mu$ m	10	21.5	59.5	41.5