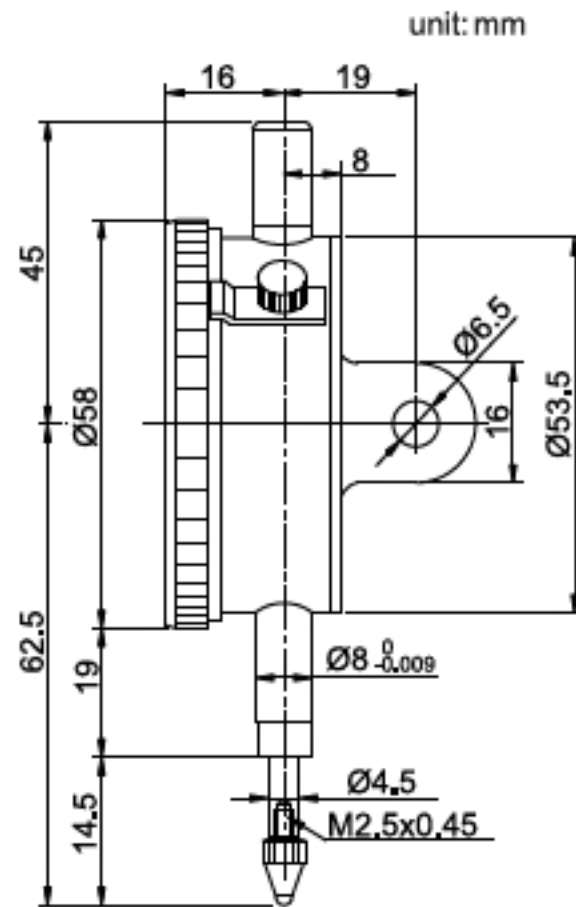


DIAL INDICATOR

SERIES 222



222-001-01

- ◆ Graduation: 0.001mm
- ◆ With limit hands
- ◆ Jeweled bearing
- ◆ Rang per revolution: 0.2mm
- ◆ With lock screw

Code	Range	Back	Scale	Accuracy	Hysteresis
222-001-01	1mm	lug	0-100-0	5µm	2µm
222-001-02	1mm	flat	0-100-0	5µm	2µm