

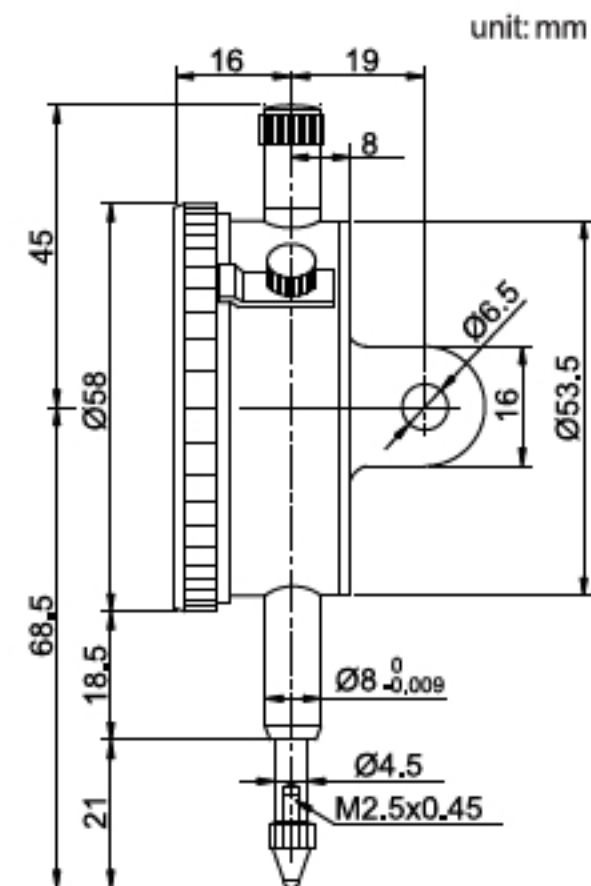
SERIES 223

DIAL INDICATOR

- ◆ Graduation: 0.01mm
- ◆ With limit hands
- ◆ Range per revolution: 1mm
- ◆ With lock screw



223-010-11



Code	Range	Back	Accuracy	Scale	Hysteresis
223-010-11	10mm	lug	20µm	0-100	3µm
223-010-12	10mm	flat	20µm	0-100	3µm