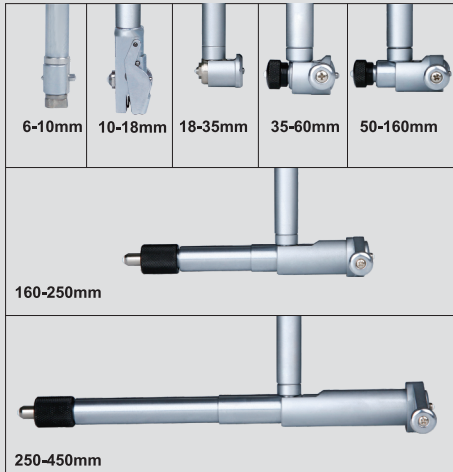


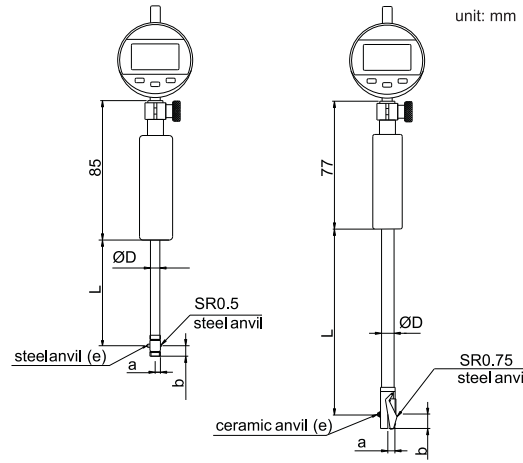
SERIES 241

DIGITAL PRECISION BORE GAUGE

- ◆ Wooden handle isolate heat conduction
- ◆ With min. value tracking function, get the diameter automatically
- ◆ Optional accessory: series 531 setting rings

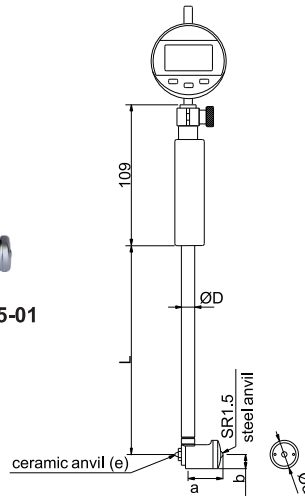


241-035-01

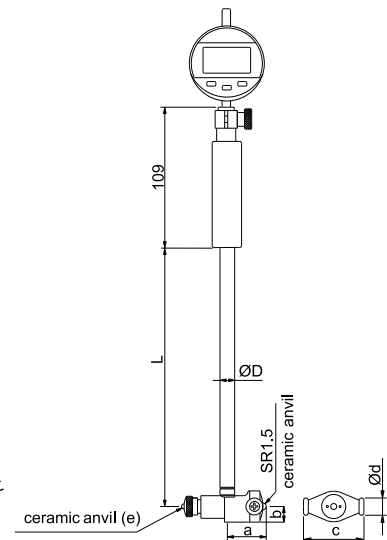


Range: 6-10mm

Range: 10-18mm



Range: 18-35mm



Range: 35mm - 450mm

Code	Range	Digital indicator	Accuracy	Repeatability	a	b	c	Ød	ØD	e	L
241-010-01	6-10mm	Range: 12.7mm resolution: 0.001mm	±0.012mm	2µm	3.6	5.7	/	/	4.5	SR1	48
241-018-01	10-18mm		±0.012mm	2µm	5.6	7.8	/	/	6	SR1	105
241-035-01	18-35mm		±0.015mm	2µm	12.2	6.4	/	12.7	9	SR1	141
241-060-01	35-60mm		±0.018mm	2µm	26	9	27	13	12.8	SR2	141
241-160-01	50-160mm		±0.018mm	2µm	26	9	35	13	12.8	SR2	141
241-160-02	100-160mm		±0.018mm	2µm	26	9	35	13	12.8	SR2	141
241-250-01	160-250mm		±0.018mm	2µm	56.5	13	74.5	15	14.5	SR3.5	400
241-450-01	250-450mm		±0.018mm	2µm	86.5	15	101.5	15	14.5	SR3.5	400