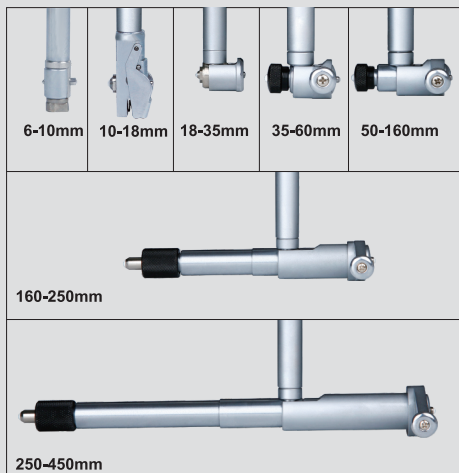


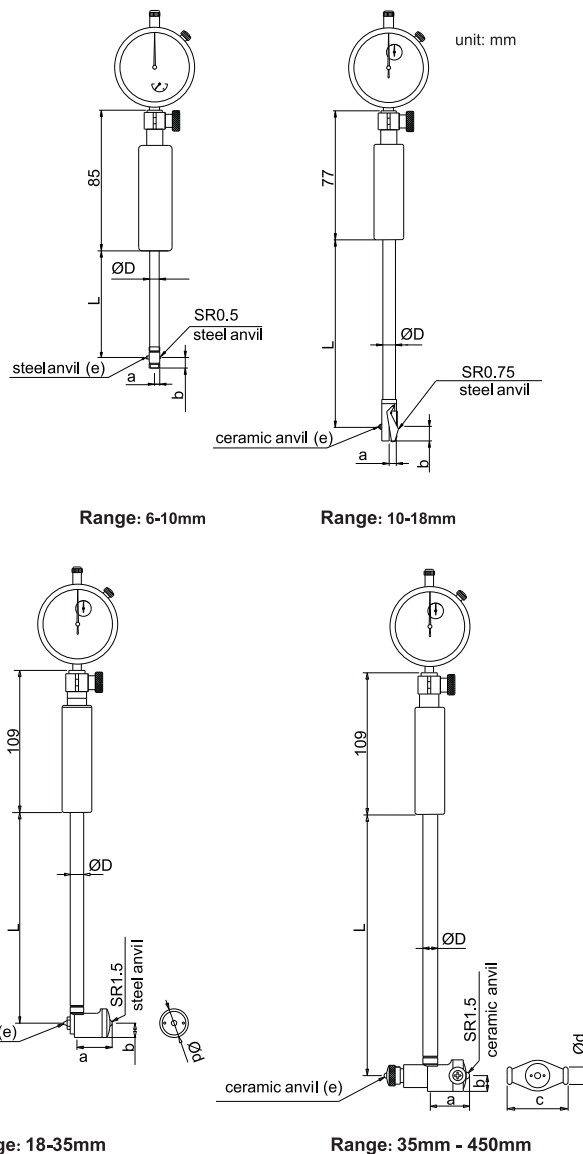
## SERIES 251

## DIAL BORE GAUGE

- ◆ Wooden handle isolate heat conduction
- ◆ Optional accessory: series 531 setting rings



251-160-11



Code	Range	Dial indicator	Accuracy	Repeatability	a	b	c	Ød	ØD	e	L
251-010-11	6-10mm	Range: 3mm graduation: 0.01mm	±0.012mm	3µm	3.6	5.7	/	/	4.5	SR1	48
251-018-11	10-18mm		±0.012mm	3µm	5.6	7.8	/	/	6	SR1	105
251-035-11	18-35mm	Range: 10mm graduation: 0.01mm	±0.015mm	3µm	12.2	6.4	/	12.7	9	SR1	141
251-060-11	35-60mm		±0.018mm	3µm	26	9	27	13	12.8	SR2	141
251-100-11	50-100mm		±0.018mm	3µm	26	9	35	13	12.8	SR2	141
251-160-11	50-160mm		±0.018mm	3µm	26	9	35	13	12.8	SR2	141
251-160-12	100-160mm		±0.018mm	3µm	26	9	35	13	12.8	SR2	141
251-250-11	160-250mm		±0.018mm	3µm	56.5	13	74.5	15	14.5	SR3.5	400
251-450-11	250-450mm		±0.018mm	3µm	86.5	15	101.5	15	14.5	SR3.5	400