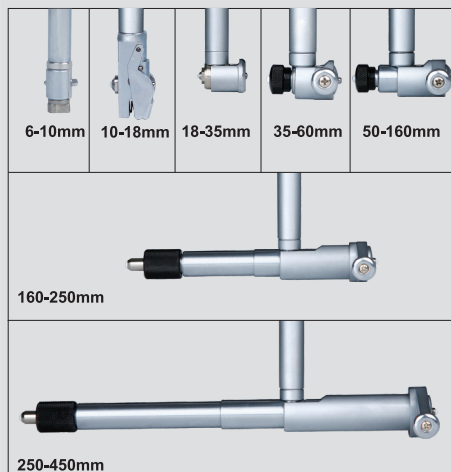
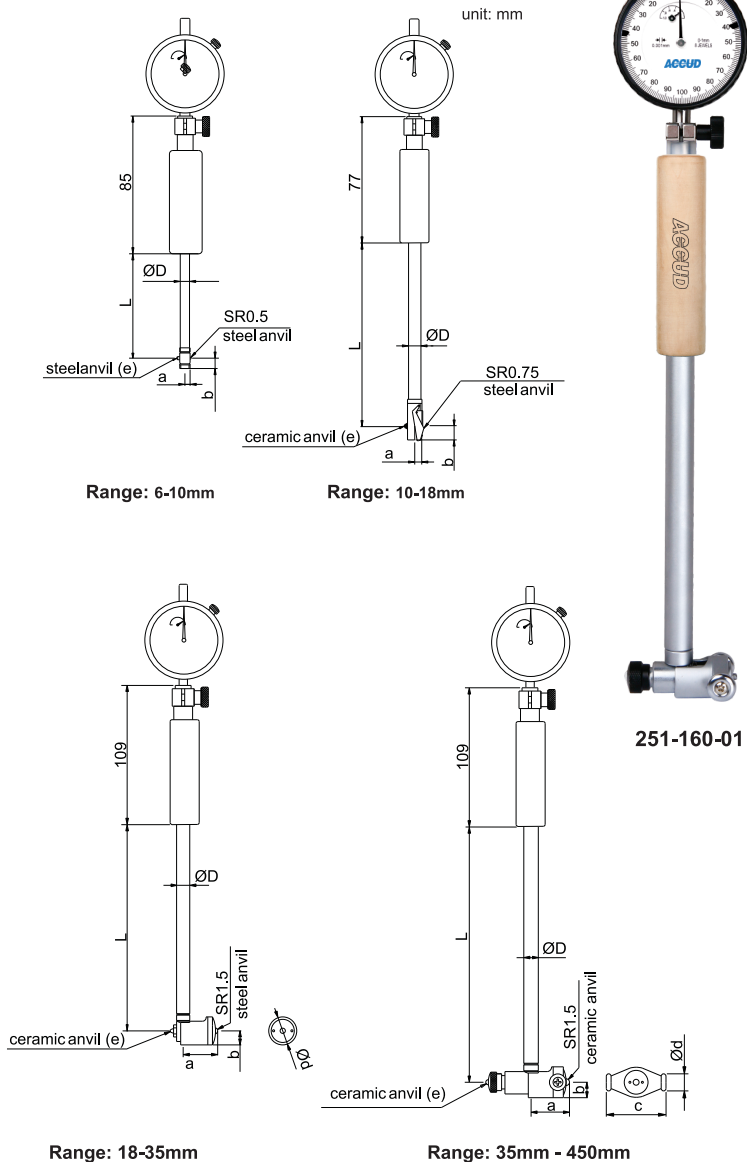


PRECISION DIAL BORE GAUGE

SERIES 251

- ◆ Wooden handle isolate heat conduction
- ◆ Optional accessory: series 531 setting rings and long handle series 250.



Code	Range	Dial indicator	Accuracy	Repeatability	a	b	c	Ød	ØD	e	L
251-010-01	6-10mm	Range: 1mm graduation: 0.001mm	±0.005mm	2µm	3.6	5.7	/	/	4.5	SR1	48
251-018-01	10-18mm		±0.005mm	2µm	5.6	7.8	/	/	6	SR1	105
251-035-01	18-35mm		±0.006mm	2µm	12.2	6.4	/	12.7	9	SR1	141
251-060-01	35-60mm		±0.007mm	2µm	26	9	27	13	12.8	SR2	141
251-160-01	50-160mm		±0.007mm	2µm	26	9	35	13	12.8	SR2	141
251-250-01	160-250mm		±0.007mm	2µm	56.5	13	74.5	15	14.5	SR3.5	400
251-450-01	250-450mm		±0.007mm	2µm	86.5	15	101.5	15	14.5	SR3.5	400

