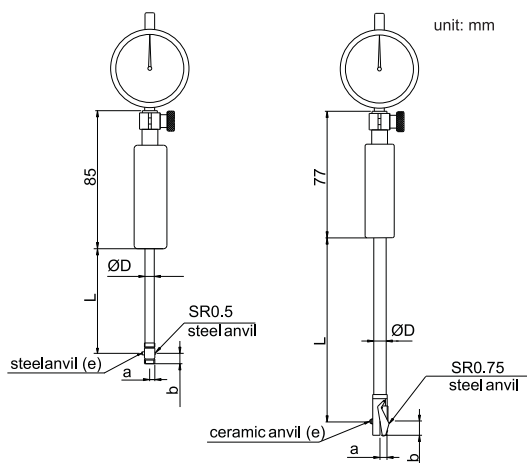


INCH DIAL BORE GAUGE

SERIES 252

- ◆ Wooden handle isolate heat conduction
- ◆ Optional accessory: Long handle series 250

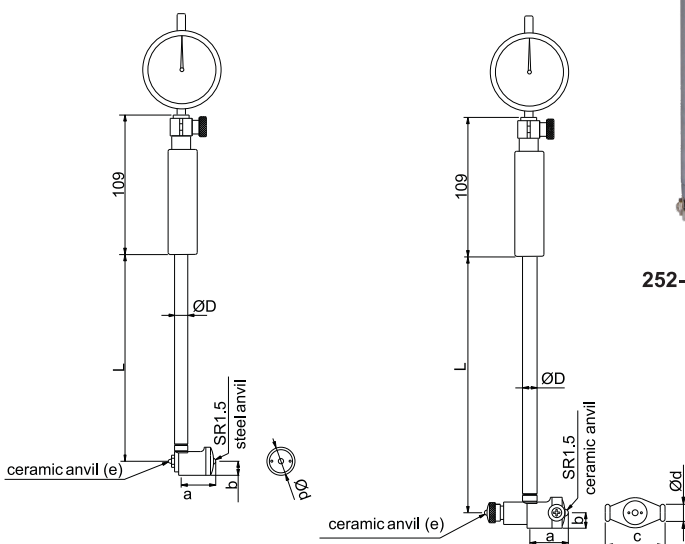


Range: 0.24-0.4"

Range: 0.4-0.7"

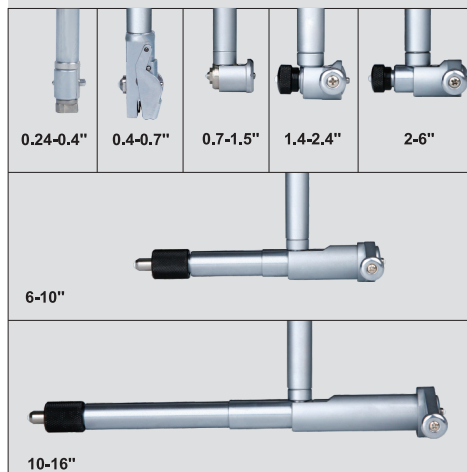


252-015-11



Range: 0.7-1.5"

Range: 1.4- 16"



Code	Range	Digital indicator	Accuracy	Repeatability	a	b	c	Ød	ØD	e	L
252-004-11	0.24-0.4"	dial indicator, range 0.25", graduation 0.0005"	±0.00075"	0.00015"	3.6	5.7	/	/	4.5	SR1	48
252-007-11	0.4-0.7"		±0.00075"	0.00015"	5.6	7.8	/	/	6	SR1	105
252-015-11	0.7-1.5"		±0.00075"	0.00015"	12.2	6.4	/	12.7	9	SR1	141
252-024-11	1.4-2.4"		±0.0009"	0.00015"	26	9	27	13	12.8	SR2	141
252-060-11	2-6"		±0.0009"	0.00015"	26	9	35	13	12.8	SR2	141
252-100-11	6-10"		±0.0009"	0.00015"	56.5	13	74.5	15	14.5	SR3.5	400
252-160-01	10-16"		±0.0009"	0.00015"	86.5	15	101.5	15	14.5	SR3.5	400

