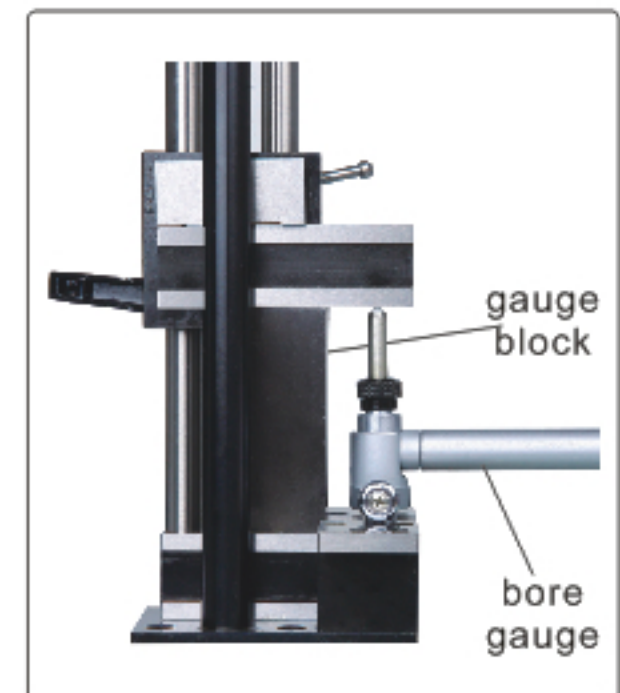
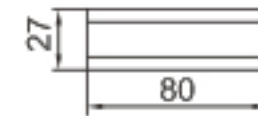
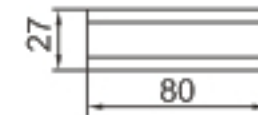
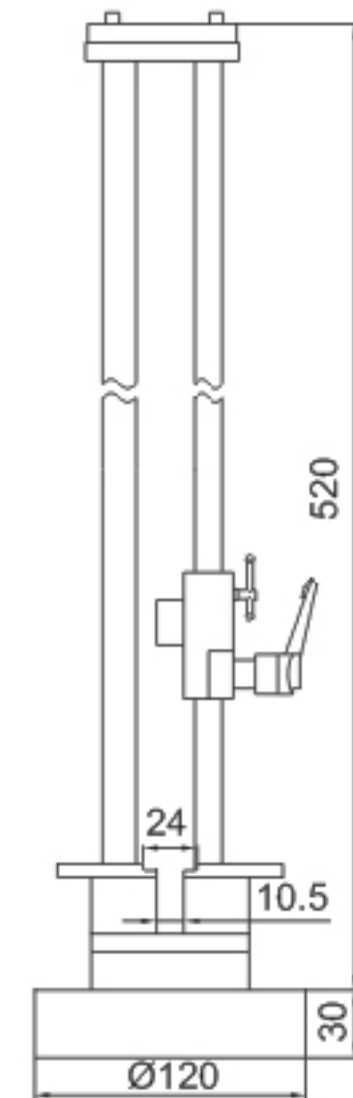


- ◆ Used together with gauge blocks to set bore gauges



255-016-11

unit: mm



Code

255-016-11

Range

18-400mm