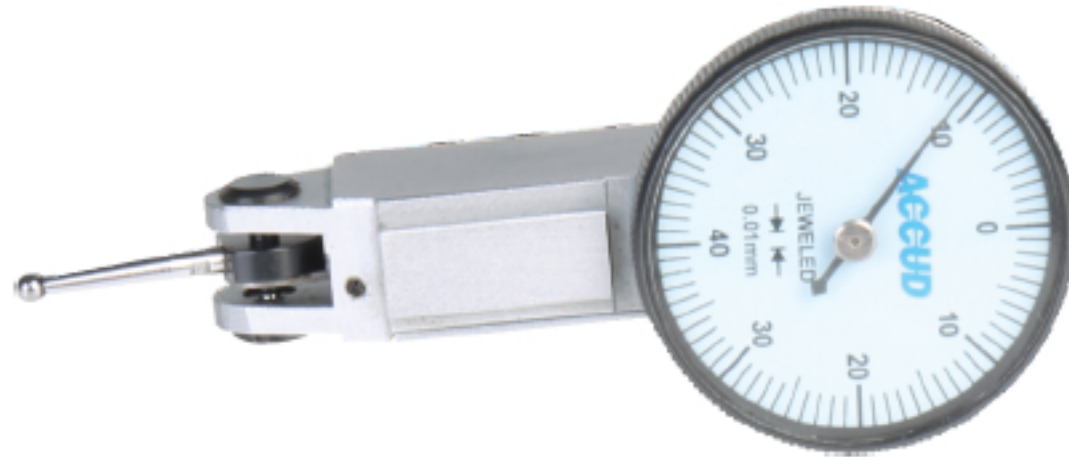
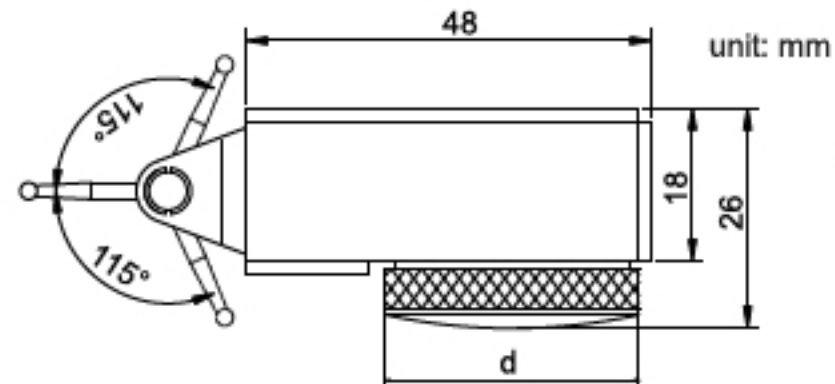


# DIAL TEST INDICATOR

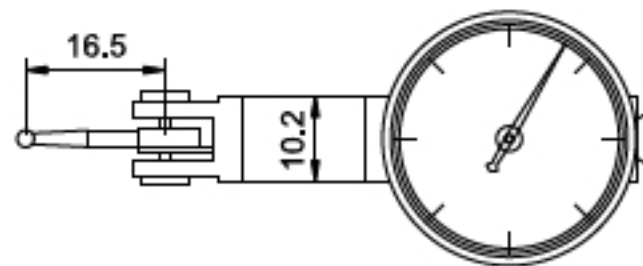
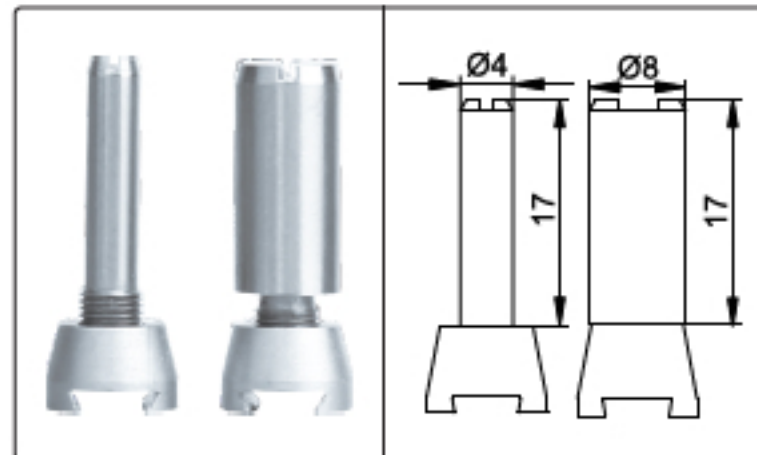
## SERIES 261



261-008-12



### Clamp



- ◆ Jeweled bearing
- ◆ Double scale spacing
- ◆ Anti-magnetic copper body
- ◆ With two clamps: Ø4mm and Ø8mm

Code	Range	Bezel(d)	Graduation	Styli	Accuracy	Hysteresis	Scale
261-008-11	0.8mm	Ø30mm	0.01mm	carbide	13µm	3µm	0-40-0
261-008-12	0.8mm	Ø37.5mm	0.01mm	carbide	13µm	3µm	0-40-0