

# SERIES 261

# DIAL TEST INDICATOR

- ◆ Jeweled bearing
- ◆ Double scale spacing
- ◆ Anti-magnetic copper body
- ◆ With two clamps: Ø4mm and Ø8mm

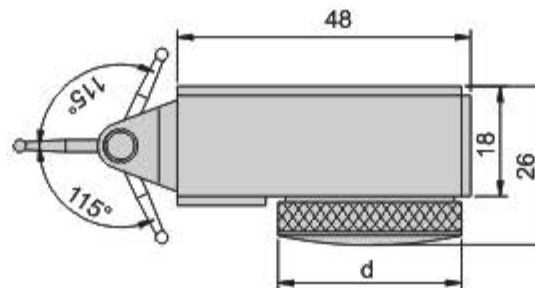
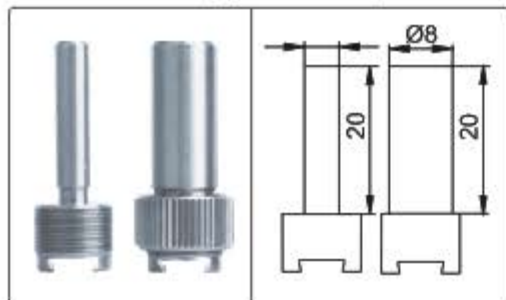


261-002-01

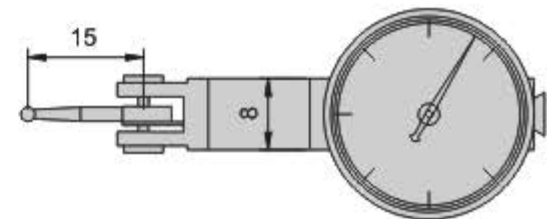
clamping



clamp(included)



unit: mm



Code	Range	Accuracy	Bezel(d)	Graduation	Styli	Hysteresis	Scale
261-002-01	0.2mm	6µm	Ø30mm	0.002mm	carbide	2µm	0-100-0
261-002-02	0.2mm	6µm	Ø37.5mm	0.002mm	carbide	2µm	0-100-0