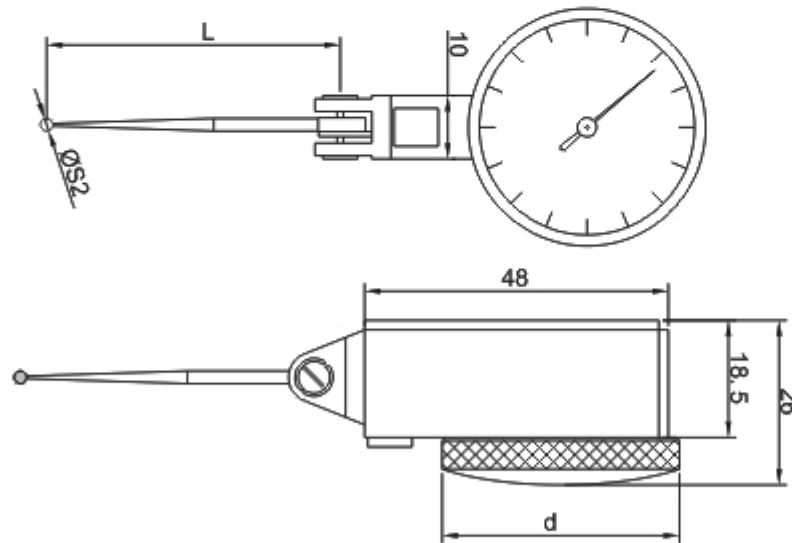


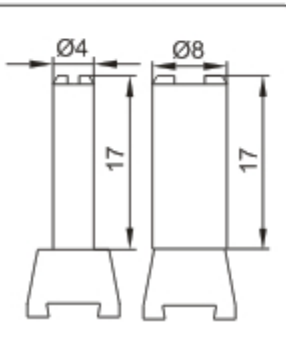


263-008-11L

unit: mm



Clamp



**\*NEW**



- ◆ Jeweled bearing
- ◆ Double scale spacing
- ◆ Anti-magnetic copper body
- ◆ With two clamps: Ø4mm and Ø8mm

Code	Range	Bezel(d)	Graduation	Styli	Accuracy	Hysteresis	Scale	L
263-008-11	0.8mm	Ø37.5mm	0.01mm	carbide	13µm	3µm	0-40-0	30.5
263-008-11L	0.8mm	Ø37.5mm	0.01mm	ruby	13µm	9µm	0-40-0	46.4