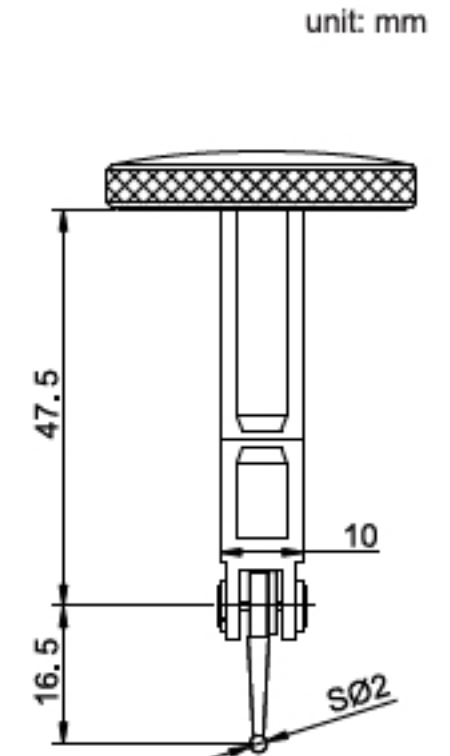
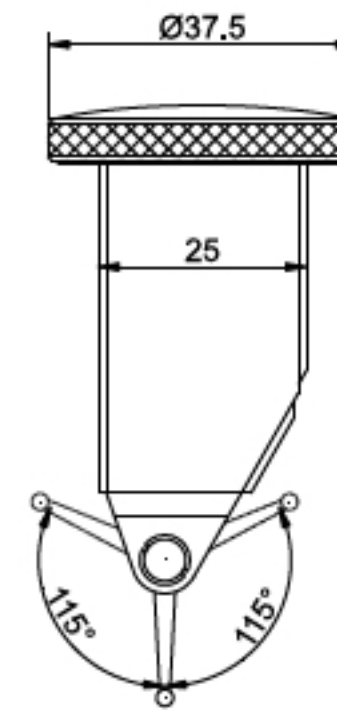
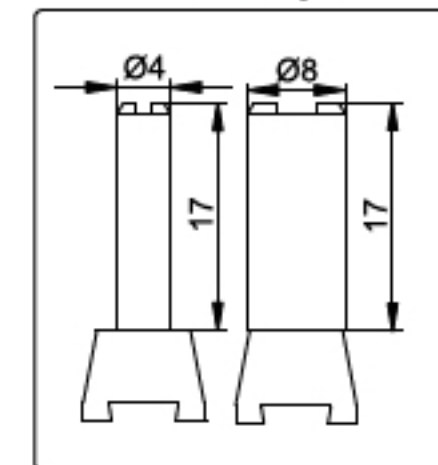


- ◆ Jeweled bearing
- ◆ Carbide contact point
- ◆ Two measuring directions
- ◆ Anti magnetic body
- ◆ Supplied with two clamps: diameter $\varnothing 4\text{mm}$ and $\varnothing 8\text{mm}$
- ◆ Optional accessory: styli



unit: mm

Clamps



Code	Range	Graduation	Accuracy(f_{ges})	Hysteresis(f_u)	Dial Reading
264-008-11	0.8mm	0.01mm	13 μm	3 μm	0-40-0