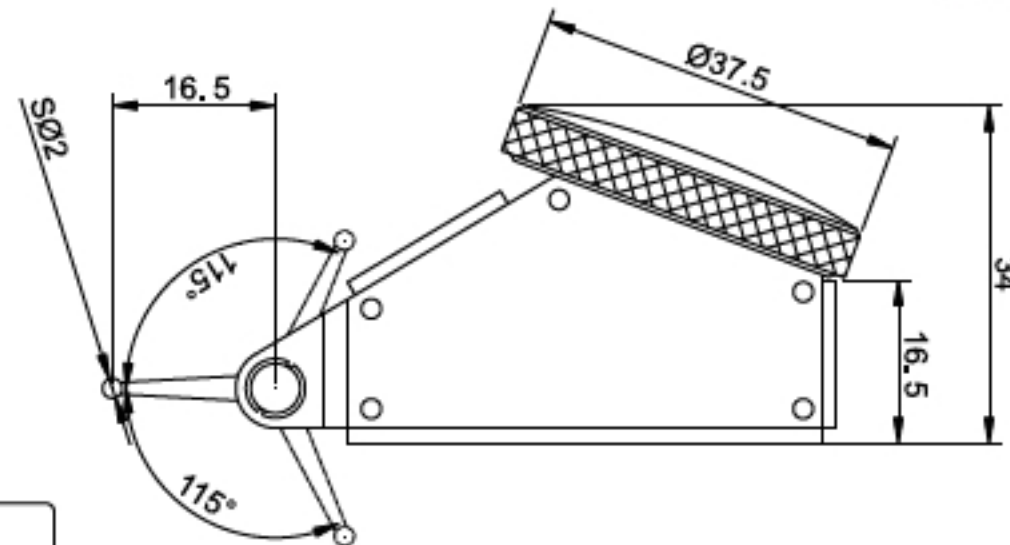
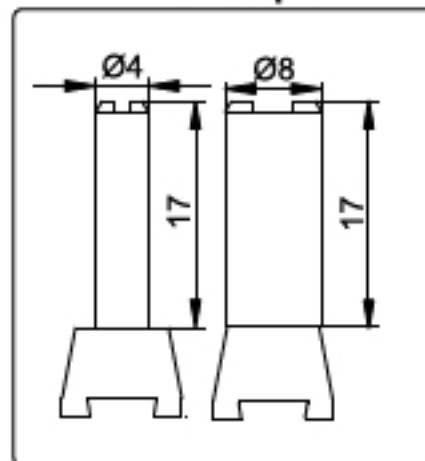




unit: mm



**Clamps**



- ◆ Jeweled bearing
- ◆ Carbide contact point
- ◆ Two measuring directions
- ◆ Anti magnetic body
- ◆ Supplied with two clamps: diameter Ø4mm and Ø8mm
- ◆ Optional accessory: styli

Code	Range	Graduation	Accuracy	Hysteresis	Dial Reading
265-008-11	0.8mm	0.01mm	13µm	3µm	0-40-0