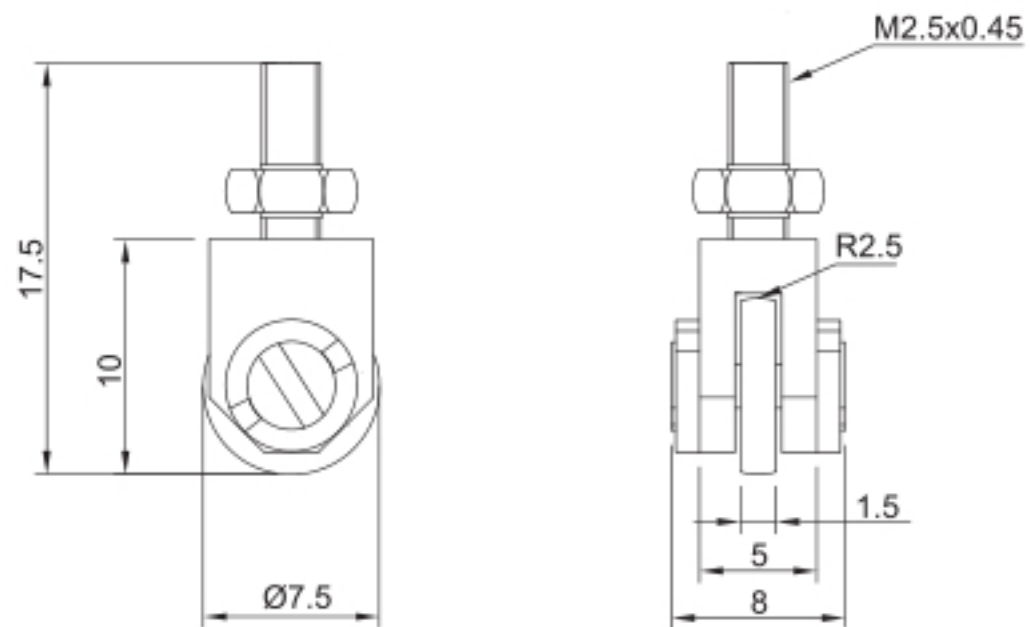




unit: mm



Code	Material of measuring face
270-009-01	steel