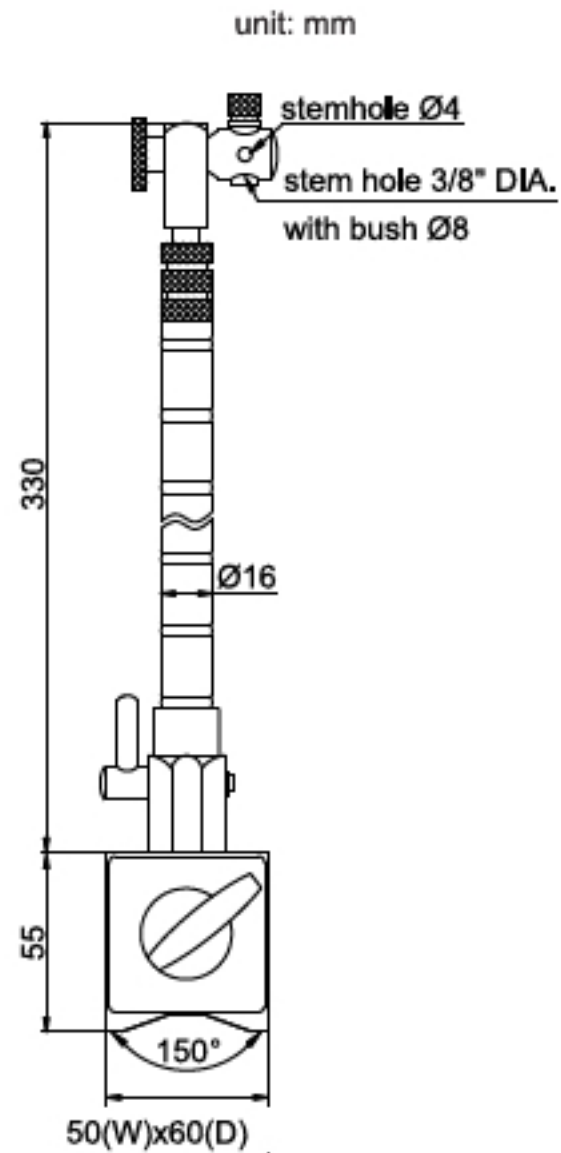


- ◆ For dial test indicators



Code	Magnetic force	Applicable holding stem
285-080-01	80kgf	$\varnothing 8$ mm, $\varnothing 4$ mm, 3/8" DIA.