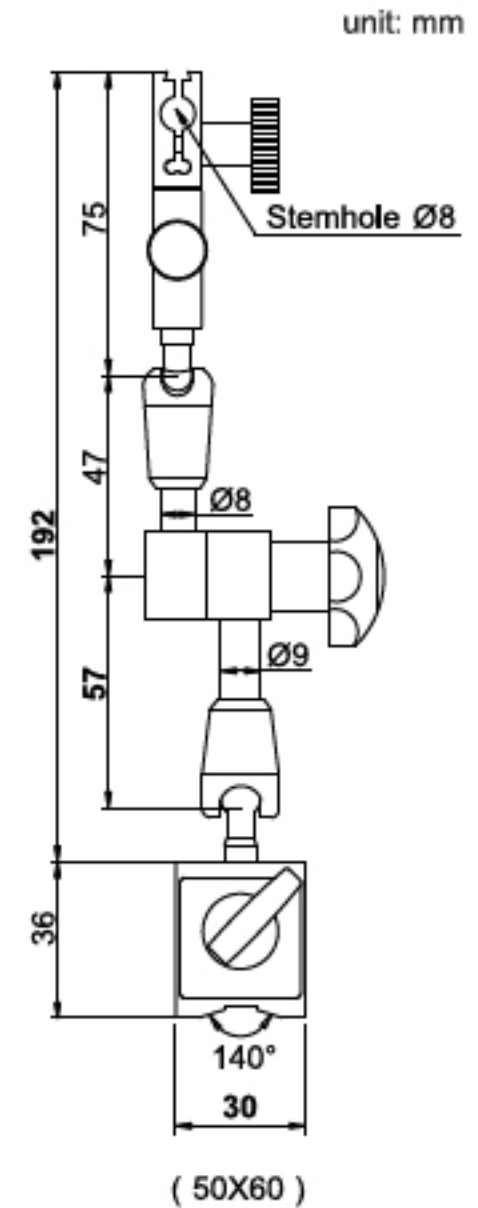


- ◆ For dial test indicators
- ◆ Stem hole: Ø8mm
- ◆ With find adjustment and dovetail
- ◆ V-block base



Code	Magnetic force	Stem hole
286-040-01	40kgf	Ø8mm