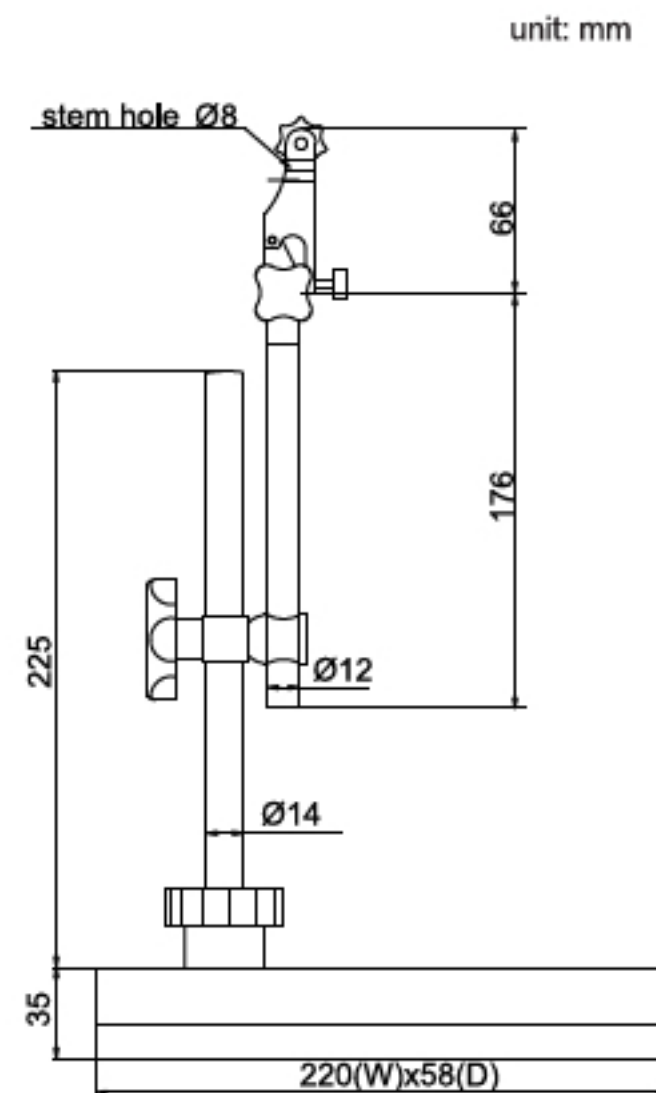


- ◆ For dial/digital indicators and dial test indicators



Code	Applicable holding stem	Remark
287-001-01	Ø8mm, Ø4mm, 3/8" DIA.	with fine adjustment