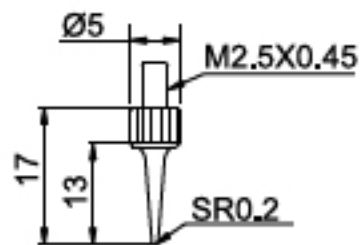


# DIAL DEPTH INDICATOR

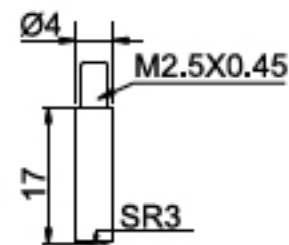
## SERIES 291



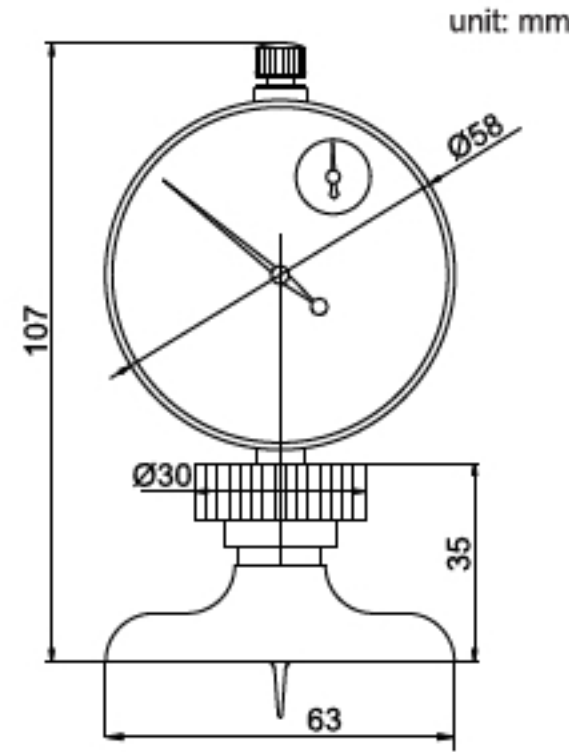
291-010-12



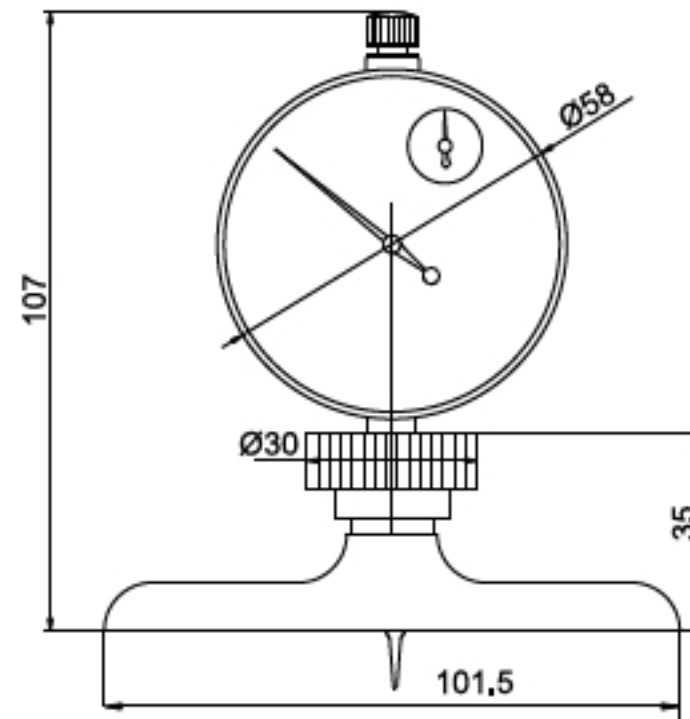
needle styli



ball styli



291-010-11



291-010-12

unit: mm

- ◆ Graduation: 0.01mm
- ◆ Indicator travel: 10mm
- ◆ Accuracy:  $\pm 0.03$ mm
- ◆ Stainless steel base
- ◆ With needle and ball styli

Code	Range	Base
291-010-11	0-10mm	63x17mm
291-010-12	0-10mm	101.5x17mm