

## SERIES 293

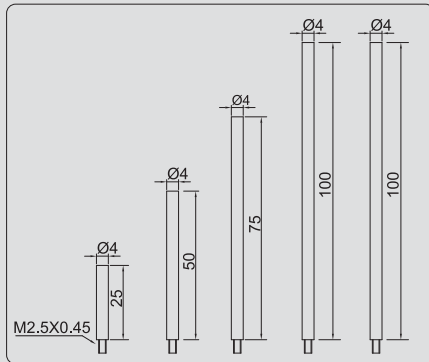
## DIGITAL DEPTH INDICATOR

- ◆ Resolution: 0.01mm/0.0005"
- ◆ Button: tolerance set, data preset, inch/mm conversion, measuring direction set, max./min./range measurement, absolute/incremental measurement
- ◆ Data output
- ◆ Automatic power off
- ◆ Stainless steel base
- ◆ Supplied with pointed tip and ball tip

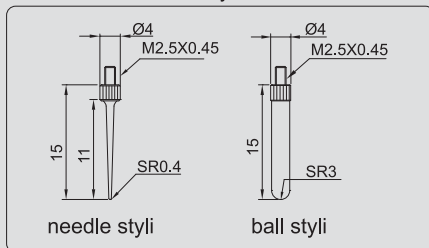


293-300-12

extension rods for 293-300-11 and 293-300-12

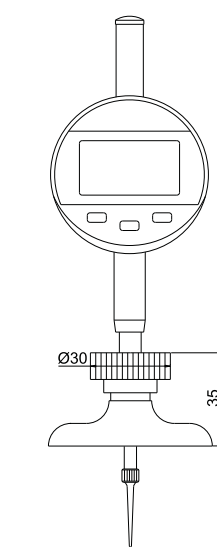


styli

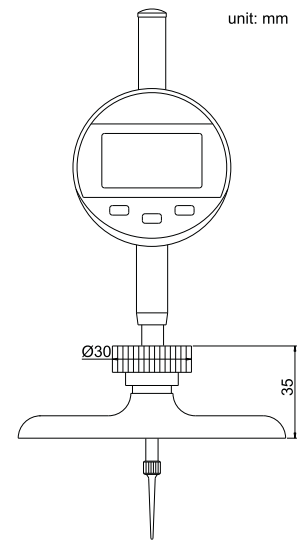
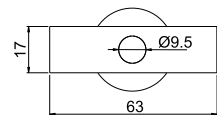


needle styli

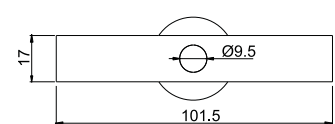
ball styli



293-300-11



293-300-12



unit: mm

Code	Range	Accuracy	Digital indicator stroke	Base
293-300-11	0-300mm/0-12"	±0.03mm	25.4mm/1"	63x17mm
293-300-12	0-300mm/0-12"	±0.03mm	25.4mm/1"	101.5x17mm