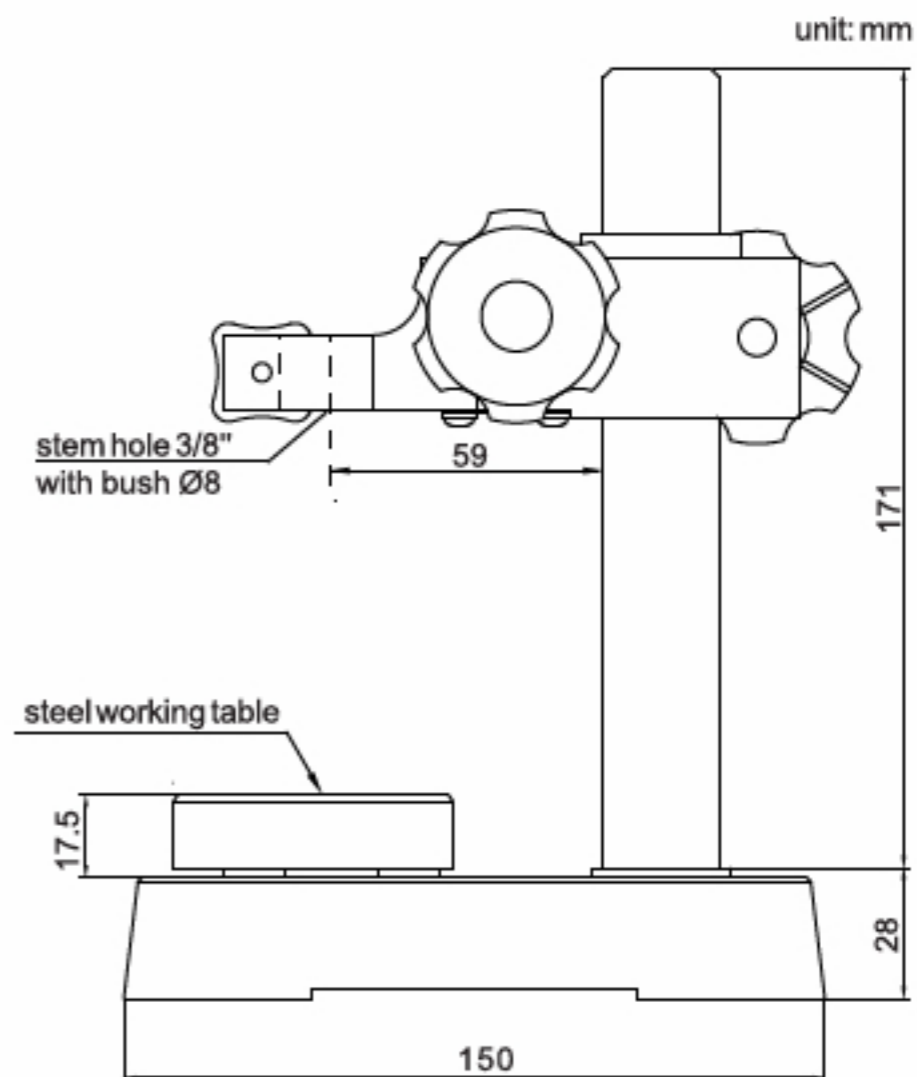


## SERIES 294

## INDICATOR STAND

- ◆ Working table is made of steel
- ◆ Holder vertical travel: 100mm
- ◆ With fine adjustment:  $\pm 1.5\text{mm}$
- ◆ Working table surface hardness is  $60\pm 2\text{HRC}$



Code	Working table flatness	Working table size
294-060-11	1.5 $\mu\text{m}$	$\varnothing 60\text{mm}$
294-080-12	1.5 $\mu\text{m}$	80x80mm