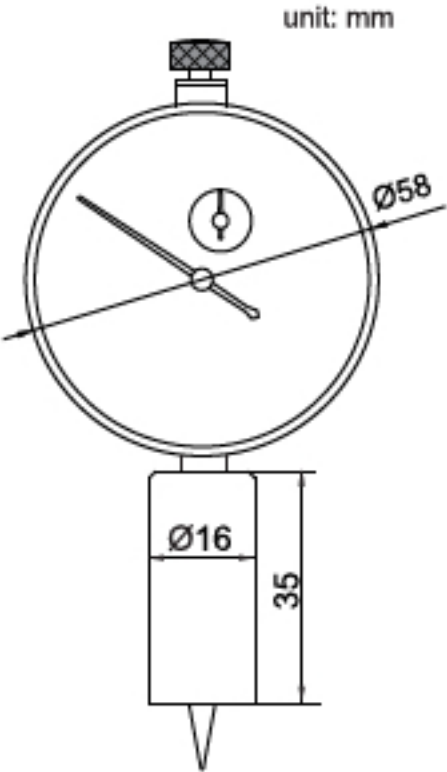


DIAL DEPTH GAGES

SERIES 295



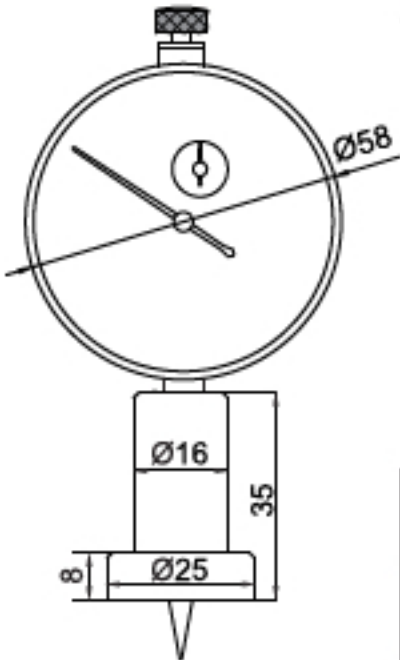
295-010-11



295-010-11



295-010-12



295-010-12

- ◆ Accuracy: $\pm 0.017\text{mm}$
- ◆ Stainless steel base
- ◆ Pointed tip

Code	Range	Dial indicator stroke	Dial indicator graduation	Base
295-010-11	0-10mm	10mm	0.01mm	Ø16mm
295-010-12	0-10mm	10mm	0.01mm	Ø25mm