

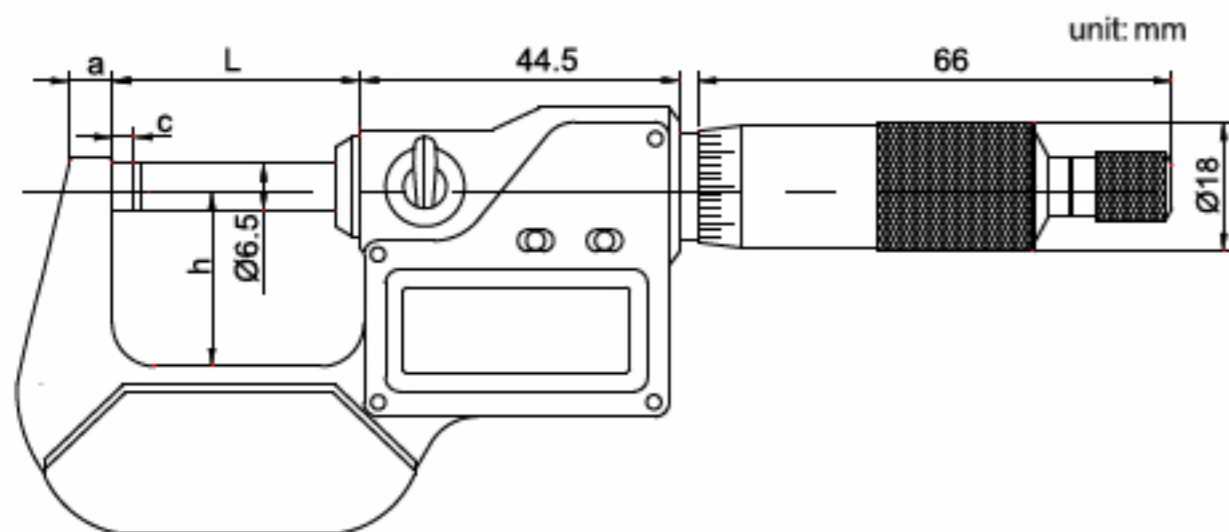
DIGITAL OUTSIDE MICROMETER WITH DATA OUTPUT

SERIES 313



313-001-01S

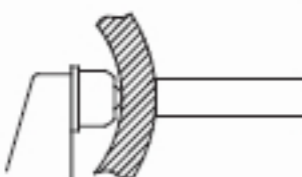
- ◆ Resolution: 0.001mm/0.00005"
- ◆ IP65 protection level
- ◆ Button: on/off, mm/inch, set, zero
- ◆ Automatic power off
- ◆ Carbide measuring faces, ratchet stop
- ◆ Setting standards are included
(except 313-001-01S)



Code	Range	Accuracy	a	c	h	L
313-001-01S	0-25mm/0-1"	±2μm	6	3	25	34.5
313-002-01S	25-50mm/1-2"	±2μm	8	3	32	59.5
313-003-01S	50-75mm/2-3"	±3μm	8	3	44.5	84.5
313-004-01S	75-100mm/3-4"	±3μm	8	3	57	109.5
313-005-01S	100-125mm/4-5"	±3μm	10	3	70	135
313-006-01S	125-150mm/5-6"	±3μm	10	3	82	160.5
313-007-01S	150-175mm/6-7"	±4μm	12	5.5	94.5	186
313-008-01S	175-200mm/7-8"	±4μm	12	5.5	107	211.5
313-009-01S	200-225mm/8-9"	±4μm	23	5.5	129.5	236
313-010-01S	225-250mm/9-10"	±4μm	23	5.5	142.5	261.5
313-011-01S	250-275mm/10-11"	±5μm	23	5.5	155	287
313-012-01S	275-300mm/11-12"	±5μm	23	5.5	167.5	312.5



spherical anvil



measure tube wall thickness

data output interface

