

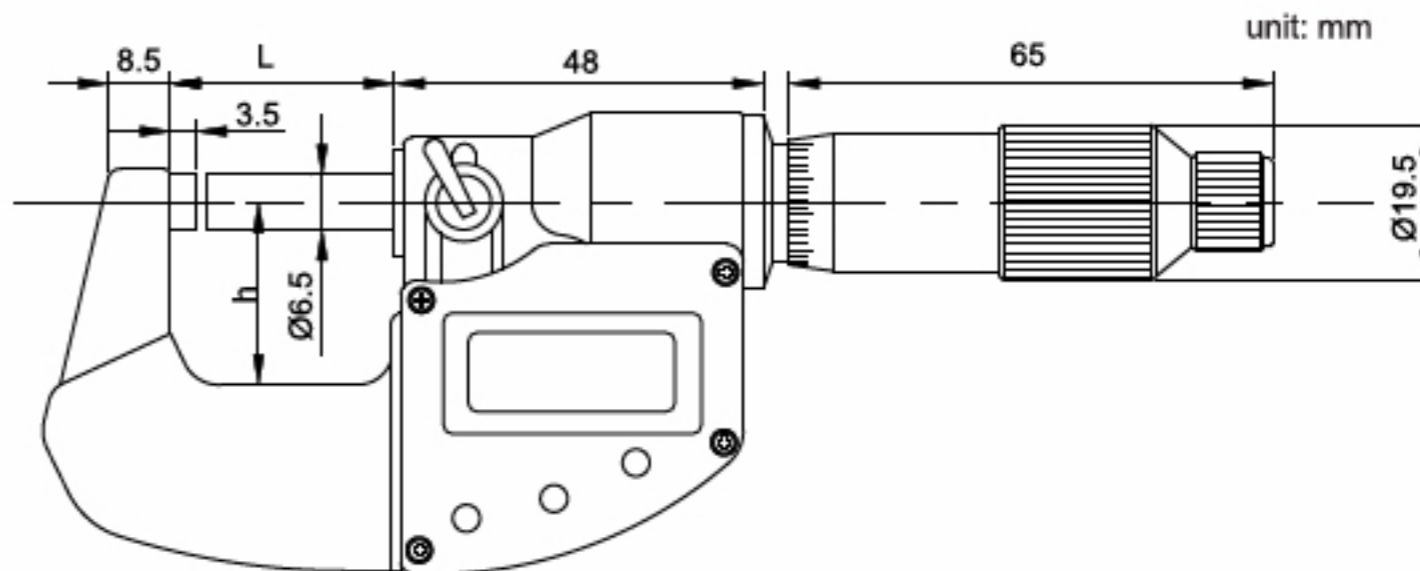
SERIES 313

IP65 DIGITAL OUTSIDE MICROMETER

- ◆ Resolution: 0.001mm/0.00005"
- ◆ IP65 protection level
- ◆ Button: on/off, mm/inch, zero
- ◆ Automatic power off
- ◆ Data output
- ◆ Carbide measuring faces
- ◆ Ratchet stop
- ◆ Setting standards are included
(except 313-001-02)



313-001-02



Code	Range	Accuracy	h	L
313-001-02	0-25mm/0-1"	3μm	25	31.5
313-002-02	25-50mm/1-2"	3μm	32	57
313-003-02	50-75mm/2-3"	4μm	44.5	82.5
313-004-02	75-100mm/3-4"	4μm	57	107
313-005-02	100-125mm/4-5"	5μm	70	133
313-006-02	125-150mm/5-6"	5μm	82	158

