

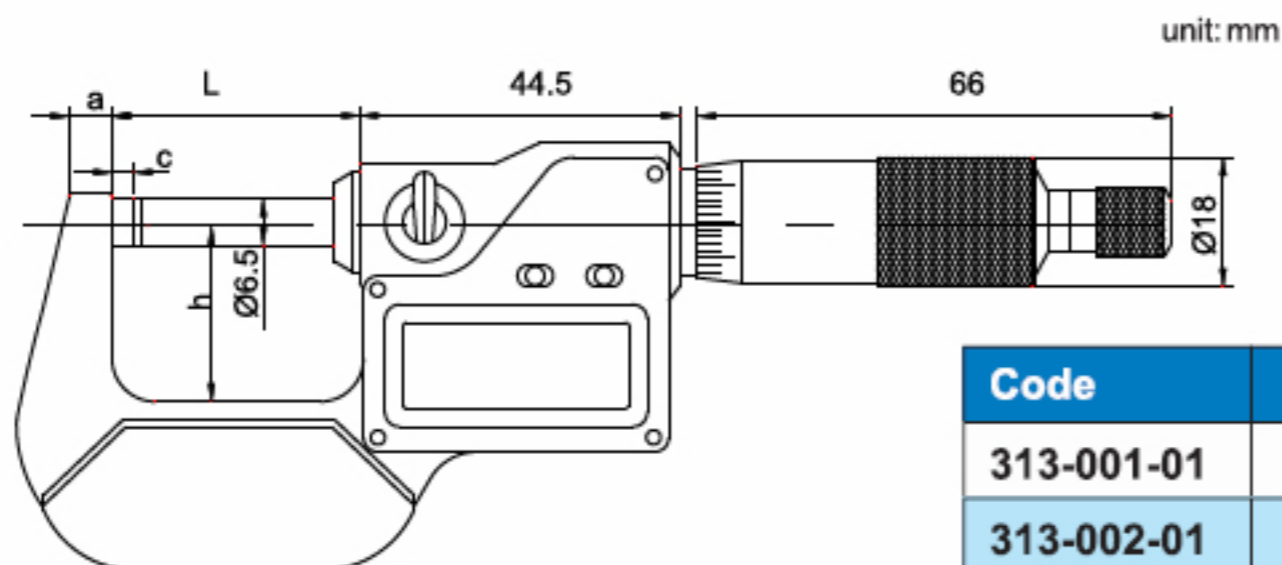
DIGITAL OUTSIDE MICROMETER

SERIES 313



313-001-01

- ◆ Resolution: 0.001mm/0.00005"
- ◆ IP65 protection level
- ◆ Button: on/off, mm/inch, set, zero
- ◆ Automatic power off
- ◆ Carbide measuring faces, ratchet stop
- ◆ Setting standards are included
(except 313-001-01)



Code	Range	Accuracy	a	c	h	L
313-001-01	0-25mm/0-1"	±2µm	6	3	25	34.5
313-002-01	25-50mm/1-2"	±2µm	8	3	32	59.5
313-003-01	50-75mm/2-3"	±3µm	8	3	44.5	84.5
313-004-01	75-100mm/3-4"	±3µm	8	3	57	109.5
313-005-01	100-125mm/4-5"	±3µm	10	3	70	135
313-006-01	125-150mm/5-6"	±3µm	10	3	82	160.5
313-007-01	150-175mm/6-7"	±4µm	12	5.5	94.5	186
313-008-01	175-200mm/7-8"	±4µm	12	5.5	107	211.5



spherical anvil



measure tube wall thickness