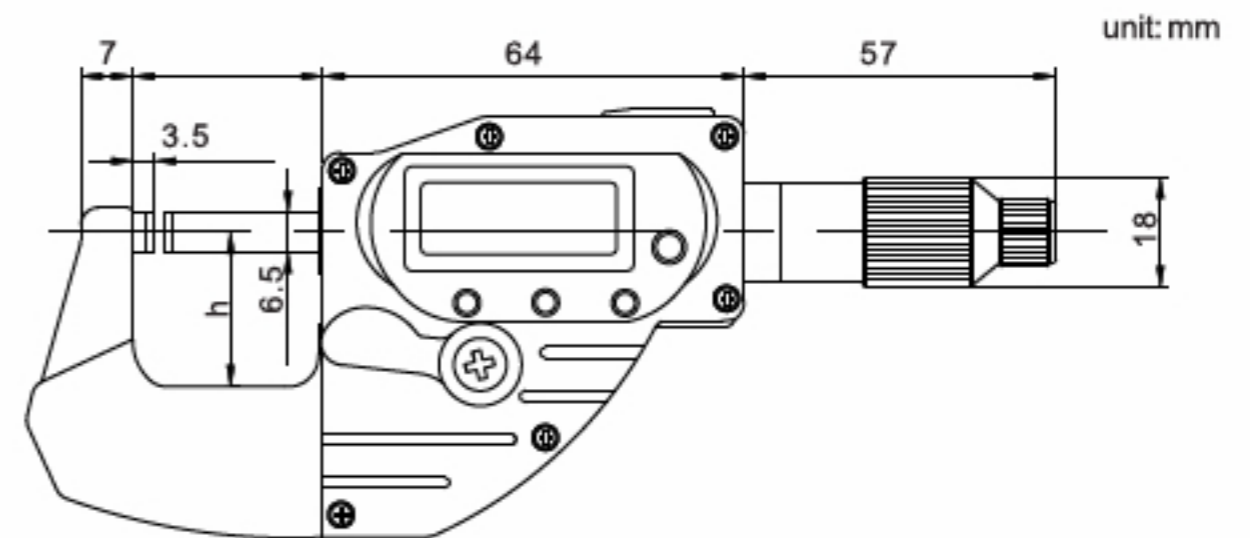


SERIES 314

DIGITAL SNAP MICROMETER

- ◆ Quick measurement with lever
- ◆ Resolution: 0.001mm/0.00005"
- ◆ IP65 protection level
- ◆ Button: on/off, mm/inch, origin, ABS/zero
- ◆ Automatic power off
- ◆ Data output
- ◆ Carbide measuring faces
- ◆ Setting standards are included
(except 314-001-02)



Code	Range	Accuracy	h	L
314-001-02	0-25mm/0-1"	3 μ m	25	31
314-002-02	25-50mm/1-2"	3 μ m	32	57
314-003-02	50-75mm/2-3"	4 μ m	44.5	82
314-004-02	75-100mm/3-4"	4 μ m	57	107