

SERIES 317

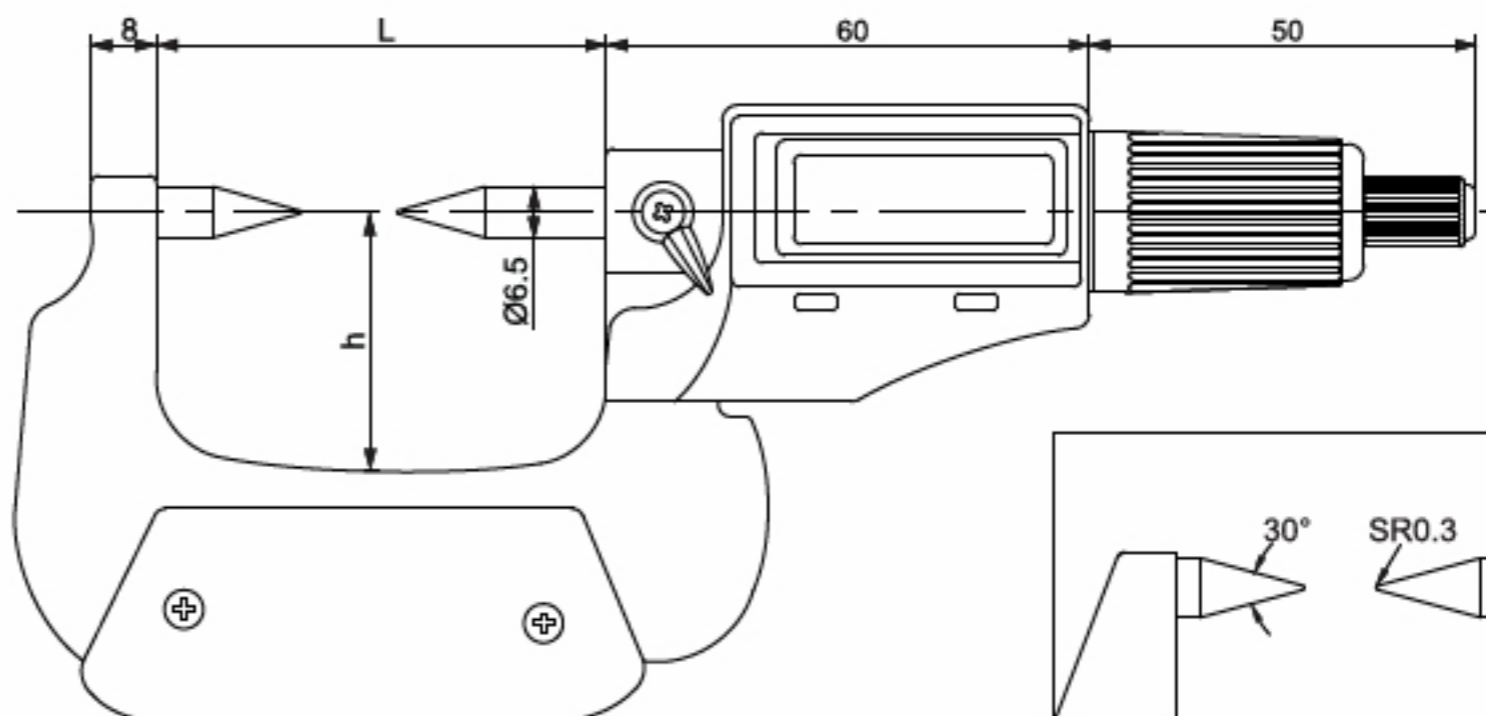
DIGITAL POINT MICROMETER

- ◆ Measure the web thickness of drills, small grooves and keyways
- ◆ Resolution: 0.001mm/0.00005"
- ◆ Button: on/off/set, mm/inch/ABS
- ◆ Automatic power off
- ◆ Setting standards are included (except 317-001-03)



317-001-03

unit: mm



Code	Range	Accuracy	h	L
317-001-03	0-25mm/0-1"	3 μ m	31	55
317-002-03	25-50mm/1-2"	3 μ m	44	80
317-003-03	50-75mm/2-3"	4 μ m	58	115
317-004-03	75-100mm/3-4"	4 μ m	72	130