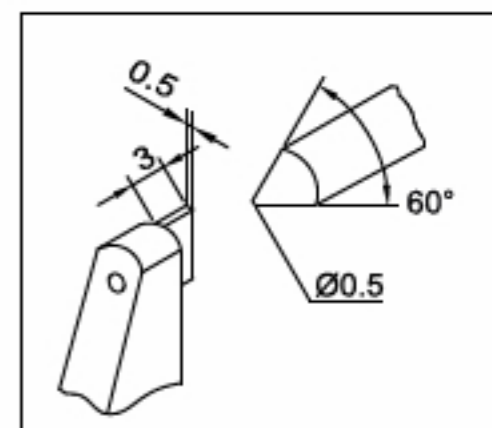
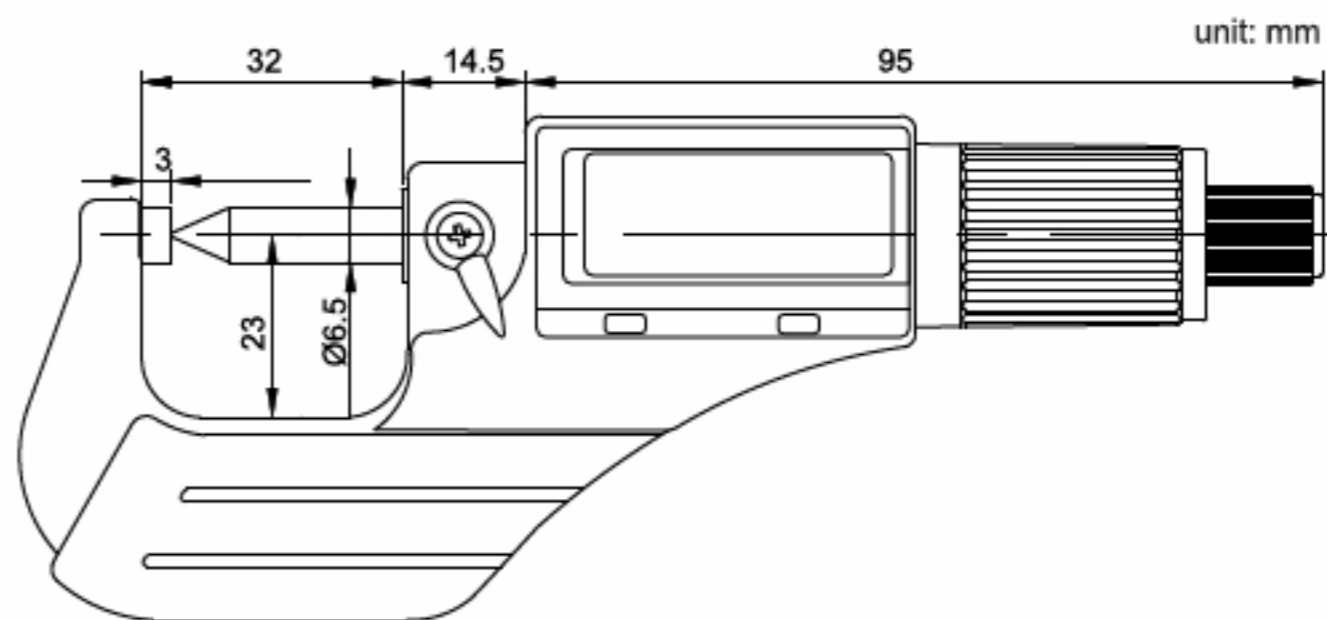


- ◆ Measure the height of crimp contact
- ◆ Button: on/off/set, mm/inch/ABS
- ◆ Automatic power off
- ◆ Carbide measuring faces



Code	Range	Accuracy
319-001-03	0-20mm/0-0.8"	3 μ m